



Operating Manual

ALTAIR[®] 5X MSHA – Multigas Detector



Order No.: 10150945/00



WARNING

THIS MANUAL MUST BE CAREFULLY READ BY ALL INDIVIDUALS WHO HAVE OR WILL HAVE THE RESPONSIBILITY FOR USING OR SERVICING THE PRODUCT. Like any piece of complex equipment, this device will perform as designed only if it is used and serviced in accordance with the manufacturer's instructions. OTHERWISE, IT COULD FAIL TO PERFORM AS DESIGNED AND PERSONS WHO RELY ON THIS PRODUCT FOR THEIR SAFETY COULD SUSTAIN SEVERE PERSONAL INJURY OR DEATH.

The warranties made by Mine Safety Appliances Company with respect to the product are voided if the product is not used and serviced in accordance with the instructions in this manual. Protect yourself and others by following them. We encourage our customers to write or call regarding this equipment prior to use or for any additional information relative to use or repairs.



The Safety Company

1000 Cranberry Woods Drive
Cranberry Township, PA 16066
USA

Phone 1-800-MSA-2222

Fax 1-800-967-0398

For your local MSA contacts please go to our website www.MSAafety.com

Contents

1	Safety Regulations	6
1.1	Correct Use	6
1.2	Liability Information	7
1.3	Safety and Precautionary Measures	7
1.4	Warranty	9
1.4.1	Exclusive Remedy	9
1.4.2	Exclusion of Consequential Damage	9
2	Description	10
2.1	Overview	10
2.2	Device Hardware Interfaces	11
2.2.1	Button Definitions	11
2.2.2	LED Definitions	11
2.2.3	Alarms	12
2.3	On-Screen Indicators	13
2.3.1	Monochrome Display	13
2.3.2	Battery Indicator	13
2.3.3	Battery Charging	15
2.4	Viewing Additional Pages	16
2.4.1	Bump Test (BUMP Page)	16
2.4.2	Peak Readings (PEAK Page)	17
2.4.3	Minimum Readings (MIN Page)	17
2.4.4	Short Term Exposure Limits (STEL Page)	17
2.4.5	Time Weighted Average (TWA Page)	18
2.4.6	Date Display	19
2.4.7	LAST CAL Page	19
2.4.8	CAL DUE Page	19
2.4.9	MotionAlert Activation Page	19
2.5	Sensor Missing Alarm	19
2.6	Monitoring Toxic Gases	20
2.7	Monitoring Oxygen Concentration	21
2.8	Monitoring Combustible Gases	21
2.9	Gas Exposure of 100 % LEL	22



3	Operation	23
3.1	Environmental Factors	23
3.2	Turning ON and Fresh Air Setup	24
3.2.1	Sampling System Safety Test	24
3.2.2	Fresh Air Setup (FAS) at Device Turn-ON	25
3.2.3	Special Consideration for Oxygen Sensor	26
3.3	Measurement Mode (Normal Operation)	26
3.4	Device Setup	26
3.4.1	Calibration Options	27
3.4.2	Alarm Options	28
3.4.3	Instrument Options	30
3.5	MSA Link Operation	32
3.6	Function Tests on the Device	32
3.7	Calibration Check	32
3.7.1	Equipment	32
3.7.2	Performing a Calibration Check	32
3.8	Calibration	33
3.8.1	Zero Calibration	33
3.8.2	Span Calibration	34
3.8.3	Finishing Successful Calibration	35
3.9	Calibration with the GALAXY® GX2 Test System	36
3.10	Device Shutdown	36
4	Maintenance	37
4.1	Troubleshooting	37
4.2	Verifying Pump Operation	38
4.3	Replacing the Battery	39
4.4	Live Maintenance Procedure - Sensor Replacement	40
4.5	Replacing the Pump Filter	42
4.6	Cleaning the Device Exterior	42
4.7	Storage	42
4.8	Shipment	42

US

5	Technical Specifications/Certifications	43
5.1	Technical Specifications	43
5.2	Factory-set Alarm Thresholds and Setpoints	44
5.3	Performance Specifications	45
5.4	Calibration Specifications	47
5.5	Certifications	47
5.6	XCell Sensor Patents	47
6	Order Information	48
6.1	Gas Cylinder Parts List	48
6.2	Accessories Parts List	49
6.3	Device Replacement Parts	50
7	Flow Charts	53
7.1	Basic Operation	53
7.2	Bump Test / Informational Pages	54
7.3	Calibrations	56
7.4	Setup	57
7.5	Calibration Options	58
7.6	Alarm Options	59
7.7	Sensor Alarm Setup	60
7.8	Instrument Options	61
7.9	Sensor Setup	63
8	Changeable Feature Summary	64



1 Safety Regulations

1.1 Correct Use

The ALTAIR 5X and ALTAIR 5X IR Multigas Detectors, hereafter also referred to as device, are for use by trained and qualified personnel. They are designed to be used when performing a hazard assessment to

- assess potential worker exposure to combustible and toxic gases and vapors as well as low level of oxygen,
- determine the appropriate gas and vapor monitoring needed for a workplace.

The ALTAIR 5X Multigas Detector can be equipped to detect:

- combustible gases and certain combustible vapors
- oxygen-deficient or oxygen-rich atmospheres
- specific toxic gases for which a sensor is installed.

The ALTAIR 5X IR Multigas Detector can also contain one infrared sensor to detect CO₂ or specific combustible gases up to 100 % Vol.



WARNING

- Perform a blocked flow test before each day's use.
- Perform a calibration check before each day's use and adjust if necessary.
- Perform a calibration check more frequently if exposed to silicone, silicates, lead-containing compounds, hydrogen sulfide or high contaminant levels.
- Recheck calibration if unit is subjected to physical shock.
- Use only to detect gases/vapors for which a sensor is installed.
- Do not use to detect combustible dusts or mists.
- For accurate catalytic combustible readings, make sure adequate oxygen is present (>10 % O₂).
- Never block pump inlet, except to perform a sampling system safety test.
- Have a trained and qualified person interpret device readings.
- Risk of Explosion: Do not remove battery pack, recharge Li Ion battery, or replace alkaline batteries in a hazardous location.
- Do not alter or modify device.
- Use only MSA-approved sampling lines.
- Do not use silicone tubing or sampling lines.
- Wait sufficient time for the reading; response times vary based on gas and length of sampling line.
- Do not use the device for prolonged periods in an atmosphere containing a concentration of fuel or solvent vapors that may be greater than 10 % LEL.

Incorrect use can cause death or serious personal injury.

This Class A digital apparatus complies with Canadian ICES-003.

It is imperative that this operating manual be read and observed when using the product. In particular, the safety instructions, as well as the information for the use and operation of the product, must be carefully read and observed. Furthermore, the national regulations applicable in the user's country must be taken into account for safe use.

Alternative use, or use outside this specification will be considered as non-compliance. This also applies especially to unauthorized alterations to the product and to commissioning work that has not been carried out by MSA or authorized persons.

1.2 Liability Information

MSA accepts no liability in cases where the product has been used inappropriately or not as intended. The selection and use of this product must be under the direction of a qualified safety professional who has carefully evaluated the specific hazards of the jobsite where it will be used and who is completely familiar with the product and its limitations. The selection and use of this product and its incorporation into the safety scheme of the jobsite is the exclusive responsibility of the employer.

Product liability claims, warranties also as guarantees made by MSA with respect to the product are voided, if it is not used, serviced or maintained in accordance with the instructions in this manual.

1.3 Safety and Precautionary Measures



WARNING

Carefully review the following safety limitations and precautions before placing this device in service. Incorrect use can cause death or serious personal injury.

- Check function (see section 3.6) each day before use. MSA recommends carrying out a routine inspection prior to each day's use.
- Perform a calibration check (see section 3.7) before each day's use to verify proper device operation. The device must pass the calibration check. If it fails the test, perform a calibration (see section 3.8) before using the device.
- The ALTAIR 5X Multigas Detectors are designed to detect gases and vapors in air only.
- Perform a calibration check more frequently if the device is subjected to physical shock or high levels of contaminants. Also, perform a calibration check more frequently if the tested atmosphere contains the following materials, which may desensitize the combustible gas sensor and reduce its readings:
 - Organic silicones
 - Silicates
 - Lead-containing compounds
 - Sulfur compound exposures over 200 ppm or exposures over 50 ppm for one minute.
- The minimum concentration of a combustible gas in air that can ignite is defined as the Lower Explosive Limit (LEL). A combustible gas reading of "XXX" indicates the atmosphere is above 100 % LEL or 5.00 % Vol CH₄ and an explosion hazard exists. Move away from hazardous area immediately.
- Do not use the ALTAIR 5X and ALTAIR 5X IR Multigas Detectors to test for combustible or toxic gases in the following atmospheres as this may result in erroneous readings:
 - Oxygen-deficient or oxygen-rich atmospheres
 - Reducing atmospheres
 - Furnace stacks
 - Inert environments (only IR sensors acceptable for use).
- Do not use the ALTAIR 5X and ALTAIR 5X IR Multigas Detectors to test for combustible gases in atmospheres containing vapors from liquids with a high flash point (above 38 °C, 100 °F) as this may result in erroneously low readings.
- Allow sufficient time for device to display accurate reading. Response times vary based on the type of sensor being utilized (see section 5.2). Allow a minimum of 1 second per foot (3 seconds per meter) of sample line to allow the sample to be drawn through the sensors.
- Sampling lines made from 0.062 inch (1.57 mm) inner diameter tubing provide fast transport times to the device; however, they must be limited to 50 feet (15 m) in length.
- Sampling of reactive toxic gases (Cl₂, ClO₂, NH₃) must only be done with the reactive gas sample line and probe kits listed in section 6.2.
- All device readings and information must be interpreted by someone trained and qualified in interpreting device readings in relation to the specific environment, industrial practice and exposure limitations.

- Use of the GALAXY® GX2 Automated Test System is an alternate MSHA-approved method for calibrating MSHA-approved ALTAIR 5X devices.
- Use only calibration gas that is 2.5% Methane with an accuracy of +5% when calibrating MSHA-approved ALTAIR 5X devices.
- GALAXY® GX2 Automated Test Setup Mode must be set to *Calibration Only* or *Calibration Check/Cal on Fail* when calibrating MSHA-approved ALTAIR 5X devices.
- For 30 CFR Part 75 determinations, the GALAXY® GX2 Automated Test System Test Setup Mode must be set to *Calibration Only* or *Calibration Check/Cal on Fail* so that 19.5 % oxygen can be detected with an accuracy of +0.5 % when calibrating MSHA-approved ALTAIR 4X devices.

Observe Proper Battery Maintenance

Use only battery chargers made available by MSA for use with this device; other chargers may damage the battery pack and the device. Dispose of in accordance with local health and safety regulations.

Be Aware of Environmental Conditions

A number of environmental factors may affect the sensor readings, including changes in pressure, humidity and temperature. Pressure and humidity changes also affect the amount of oxygen actually present in the atmosphere.

Be Aware of the Procedures for Handling Electrostatically Sensitive Electronics

The device contains electrostatically sensitive components. Do not open or perform maintenance on the device without using appropriate electrostatic discharge (ESD) protection. The warranty does not cover damage caused by electrostatic discharges.

NOTE: This equipment has been tested and found to comply with the limits for a Class A digital device, pursuant to part 15 of the FCC Rules. These limits are designed to provide reasonable protection against harmful interference when the equipment is operated in a commercial environment. This equipment generates, uses, and can radiate radio frequency energy and, if not installed and used in accordance with the instruction manual, may cause harmful interference to radio communications. Operation of this equipment in a residential area is likely to cause harmful interference in which case the user will be required to correct the interference at his own expense.



WARNING

This is a class A product in accordance with CISPR 22.
In a domestic environment, this product may cause radio interference, in which case the user may be required to take adequate measures.

This Class A digital apparatus complies with Canadian ICES-003.

Be Aware of the Product Regulations

Follow all relevant national regulations applicable in the country of use.

Be Aware of the Warranty Regulations

The warranties made by Mine Safety Appliances Company with respect to the product are voided if the product is not used and maintained in accordance with the instructions in this manual. Please protect yourself and others by following them. We encourage our customers to write or call regarding this equipment prior to use or for any additional information relative to use or service.

1.4 **Warranty**

Item	Warranty Period
Chassis and electronics	Three years
XCell COMB, O ₂ , H ₂ S, CO, SO ₂ , NO ₂ , and MSA IR sensors	Three years
XCell Cl ₂ , NH ₃ sensors	Two years
Series 20 ClO ₂ , HCN, NO, NO ₂ , PH ₃ sensors	One year

This warranty does not cover filters, fuses, etc. As the battery pack ages, there will be a reduction in usable device run time. Certain other accessories not specifically listed here may have different warranty periods. This warranty is valid only if the product is maintained and used in accordance with Seller's instructions and/or recommendations.

The Seller shall be released from all obligations under this warranty in the event repairs or modifications are made by persons other than its own or authorized service personnel or if the warranty claim results from physical abuse or misuse of the product. No agent, employee or representative of the Seller has any authority to bind the Seller to any affirmation, representation or warranty concerning this product. Seller makes no warranty concerning components or accessories not manufactured by the Seller, but will pass on to the Purchaser all warranties of manufacturers of such components.

THIS WARRANTY IS IN LIEU OF ALL OTHER WARRANTIES, EXPRESSED, IMPLIED OR STATUTORY, AND IS STRICTLY LIMITED TO THE TERMS HEREOF. SELLER SPECIFICALLY DISCLAIMS ANY WARRANTY OF MERCHANTABILITY OR OF FITNESS FOR A PARTICULAR PURPOSE.

1.4.1 **Exclusive Remedy**

It is expressly agreed that Purchaser's sole and exclusive remedy for breach of the above warranty, for any tortious conduct of Seller, or for any other cause of action, shall be the replacement at Seller's option, of any equipment or parts thereof, which after examination by Seller is proven to be defective. Replacement equipment and/or parts will be provided at no cost to Purchaser, F.O.B. Seller's Plant. Failure of Seller to successfully replace any nonconforming equipment or parts shall not cause the remedy established hereby to fail of its essential purpose.

1.4.2 **Exclusion of Consequential Damage**

Purchaser specifically understands and agrees that under no circumstances will seller be liable to purchaser for economic, special, incidental or consequential damages or losses of any kind whatsoever, including but not limited to, loss of anticipated profits and any other loss caused by reason of nonoperation of the goods. This exclusion is applicable to claims for breach of warranty, tortious conduct or any other cause of action against seller.



2 Description

2.1 Overview



Fig. 1 Device view

- | | | | |
|---|--------------------------------------------------------------|----|------------------------------|
| 1 | LEDs
(2 red "Alarm", 1 green "Safe" and 1 yellow "Fault") | 7 | MSA Link™ Communication Port |
| 2 | Horn | 8 | Pump inlet |
| 3 | Display | 9 | Filter |
| 4 | ▲ Button | 10 | Belt Clip (ALTAIR 5X only) |
| 5 | ⏻ Button | 11 | Charging Port |
| 6 | ▼ Button | 12 | Charge Status LED |

The device monitors gases in ambient air and in the workplace.

The ALTAIR 5X Detectors are available with a maximum of four sensors, which can display readings for five separate gases (one Two-Tox Sensor provides both CO and H₂S sensing capabilities in a single package).

The ALTAIR 5X IR is available with a maximum of five sensors, which can display readings for six separate gases (one Two-Tox Sensor provides both CO and H₂S sensing capabilities in a single package).

The ALTAIR 5X Detectors are available with a monochrome display.

The alarm levels for the individual gases are factory-set and can be changed through the Instrument Setup Menu. These changes can also be made through MSA Link Software. Ensure that the latest version of the MSA Link software has been downloaded from MSA's website www.msasafety.com. It is recommended that after making changes using MSA Link software, the device should be turned OFF and ON.

2.2 Device Hardware Interfaces

Device operation is dialog driven from the display with the aid of the three function buttons (see Fig. 1). The device has three buttons for user operation.

2.2.1 Button Definitions

The ALTAIR 5X and ALTAIR 5X IR devices have three buttons for user operation. Each button can function as a "soft key", as defined immediately above the button.

Button	Description
⏻	The ⏻ button is used to turn the device ON or OFF and to confirm user action selections.
▼	The ▼ button is used to page down through data screens or to decrease the values in setup mode. This button is also used to initiate a Bump Test for the installed sensors, directly from the MEASURING page. If the user is granted access to the MotionAlert setting feature, this button can be used to activate the InstantAlert™ alarm.
▲	The ▲ button is used to reset Peak, STEL, TWA and alarms (where possible) or perform calibration in measuring mode. It is also used as page up or to increase the values in setup mode.

When the ▲ button and the ▼ button are pressed simultaneously while in normal measure mode, the Setup mode can be entered after the password is confirmed.

2.2.2 LED Definitions

LED	Description
RED (Alarm)	The red alarm LEDs are visual indications of an alarm condition or any type of error in the device.
GREEN (Safe)	<p>The Safe LED flashes once every 15 seconds to notify the user that the device is ON and operating under the conditions defined below:</p> <ul style="list-style-type: none"> - The green SAFE LED is enabled - Combustible reading is 0 % LEL or 0% Vol - Oxygen (O₂) reading is 20.8 % - Carbon Dioxide (CO₂) reading is ≤ 0.03 % - All other sensor readings are 0 ppm - No gas alarms are present (low or high) - Device is not in Low Battery warning or alarm - STEL and TWA readings are 0 ppm <p>This option can be turned OFF through the MSA Link software.</p>
YELLOW (Fault)	<p>The Fault LED activates if any of several fault conditions are detected during device operation. This includes:</p> <ul style="list-style-type: none"> - A device memory error - A sensor determined to be missing or inoperative - A pump fault. <p>These faults are also indicated by activation of device alarm LEDs, horn, and vibrating alarm.</p>

2.2.3 Alarms

The device is equipped with multiple alarms for increased user safety:

Alarm	
Vibrating Alarm	The device vibrates when any alarm condition is active. This can be turned OFF through the SETUP- ALARM OPTIONS menu (see section 3.4.2).
Horn	The device is equipped with an audible alarm. The horn can be turned OFF through the SETUP- ALARM OPTIONS menu (see section 3.4.2).
Instant-Alert™ Alarm	The InstantAlert exclusive feature allows the user to manually activate an audible alarm to alert those nearby to potentially dangerous situations. Holding the ▼ button for approximately 5 seconds while in Normal Measure Mode activates the InstantAlert alarm. Access to this feature may be restricted. See section 3.4.2 for means to allow/disallow user access.
MotionAlert™ Alarm	If MotionAlert is turned ON (⊕ = ON) (see section 3.4.2), the device activates a "Man Down" alarm if motion is not detected within 30 seconds. The Alarm LEDs flash, and the horn activates with an increasing audible frequency. MotionAlert is always turned OFF when the device is turned OFF. It must always be turned ON prior to use. Access to this feature may be restricted by user settings. See section 3.4.2 for means to allow/disallow user access.
Stealth Mode	Stealth Mode disables the visual, audible and vibrating alarms. MSA recommends that this feature be left in its default "OFF" state. Stealth mode can be turned ON through the SETUP - INSTRUMENT OPTIONS menu (see section 3.4.3). The message "Alarms OFF" flashes on the monochrome display when Stealth mode is ON.
Sensor Life Alarm	The device evaluates the condition of the sensors during Calibration. As the end of a sensor's life approaches, a warning is provided. While the sensor is still fully functional, the warning gives the user time to plan for a replacement sensor to minimize downtime. The Sensor Life indicator ♥ displays during ongoing operations as a reminder of a sensor's pending end of life. When a sensor's end-of-life is reached, sensor calibration will not be successful, and the user is then alerted by a Sensor Life Alarm. A flashing Sensor Life indicator ♥ displays during ongoing operations until the sensor is replaced and/or successfully calibrated. On the monochrome display, the Sensor Life indicator appears on the display at the same position as the MotionAlert indicator. If MotionAlert is enabled (the ⊕ indicator displays) and a Sensor Life warning or alarm occurs, the Sensor Life indicator ♥ takes priority and is shown instead. See section 3.8 for additional details on Sensor Life determination and indication.
Backlight	The backlight automatically activates when any front panel button is pressed and remains ON for the duration of user-selected timeout. This duration can be changed using the SETUP - INSTRUMENT SETUP (see section 3.4.3) or through MSA Link software.
Operating Beep	This Operating Beep activates every 30 seconds by momentarily beeping the horn and flashing the alarm LEDs under the following conditions: <ul style="list-style-type: none"> - Operating Beep is enabled - Device is on NORMAL MEASURE GASES page - Device is not in battery warning - Device is not in gas alarm.

2.3 On-Screen Indicators

2.3.1 Monochrome Display

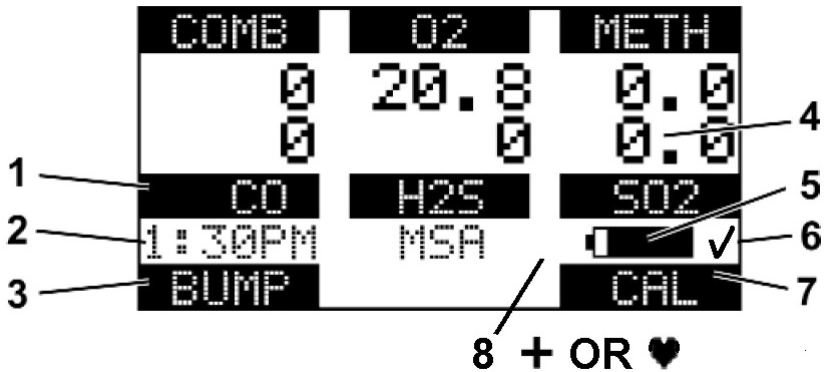


Fig. 2 Monochrome Display

- | | |
|--------------------------|----------------------------------------------|
| 1 Gas type | 5 Battery condition |
| 2 Current time | 6 Successful Bump Test/Calibration Indicator |
| 3 "Soft Key" ▼ Indicator | 7 "Soft Key" ▲ Indicator |
| 4 Gas reading | 8 + MotionAlert (+ = ON) |
| | ♥ Sensor Life Indicator |

On a monochrome display, a message appears every 30 seconds if the Vibration, Horn or LED alarms are turned OFF.

2.3.2 Battery Indicator

The battery icon continuously displays in the lower right-hand corner of the monochrome display. A bar represents the charging level of the battery.

The nominal run-time of the device (COMB, O₂, CO, H₂S, with pump and monochrome display) at room temperature is 17 hours. Actual run-time will vary depending on ambient temperature, battery and alarm conditions.

Low Battery Warning


WARNING

If battery warning alarm activates while using the device, leave the area immediately as the end of battery life is approaching. Failure to follow this warning can result in serious personal injury or death.

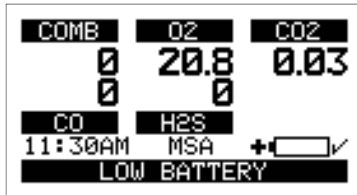


Fig. 3 Battery Warning

The duration of remaining device operation during a Low Battery Warning depends on ambient temperatures, battery condition alarm status.

When the device goes into battery warning the:

- battery life indicator continuously flashes
- alarm sounds and alarm LEDs flash every 30 seconds
- Safe LED no longer flashes
- device continues to operate until it is turned OFF or battery shutdown occurs.

Battery Shutdown


WARNING

If battery alarm displays, stop using the device as it no longer has enough power to indicate potential hazards, and persons relying on this product for their safety could sustain serious personal injury or death.

The device goes into battery shutdown mode 60 seconds before final shutdown (when the batteries can no longer operate the device):

- "BATTERY ALARM" flashes on the display
- Alarm sounds
- Alarm LEDs flash
- Fault LED is ON
- No other pages can be viewed; after approximately one minute, the device automatically turns OFF.



Fig. 4 Battery Shutdown

When battery shutdown condition occurs:

- (1) Leave the area immediately.
- (2) Recharge or replace the battery pack.

2.3.3 Battery Charging

**WARNING**

Risk of explosion: Do not recharge device in hazardous area.

NOTICE

Use of any charger, other than the charger supplied with the device, may damage or improperly charge the batteries.

- The charger is capable of charging a completely depleted pack in less than six hours in normal, room-temperature environments.

NOTE: Allow very hot or cold devices to stabilize for one hour at room temperature before attempting to charge.

- Minimum and maximum ambient temperature to charge the device is 10 °C (50 °F) and 35 °C (95 °F), respectively.
- For best results, charge the device at room temperature.

To Charge the Device

- Firmly insert the charger connector into the charge port on the back of the device.
- An LED in the battery pack is used to indicate on the charge status:
Red = charging, Green = charged, yellow = fault
- If a problem is detected during charging (LED turns yellow):
Disconnect the charger momentarily to reset the charge cycle.
- The battery pack may be charged separately from the device.
- During periods of non-use, the charger may remain connected to the device/battery pack.

NOTE: The charger must be disconnected for the device to operate.

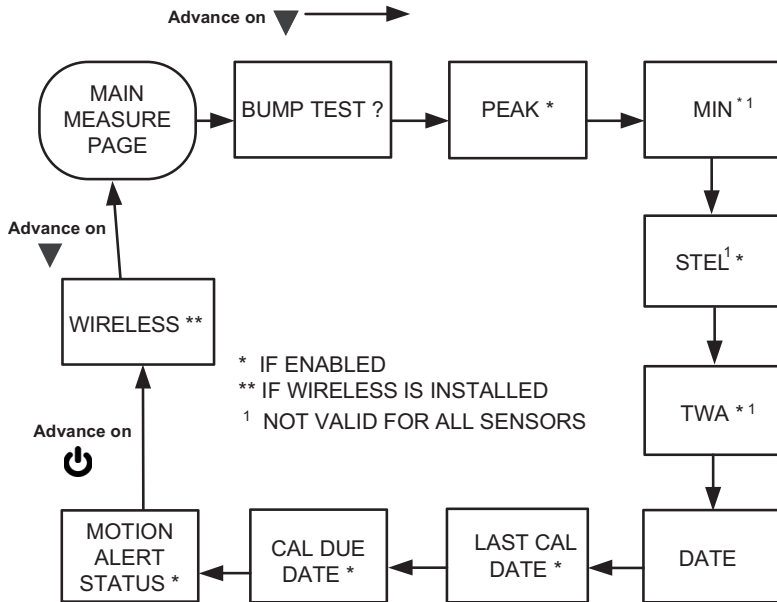
2.4 Viewing Additional Pages

The Main Screen appears at device turn-ON.

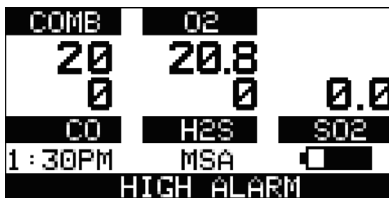
Additional displays can be viewed by pressing the ▼ button to move to the screen as indicated by the "soft key".

(For the monochrome display, the name of the page is displayed.)

The sequence of pages are as follows and are described below:



2.4.1 Bump Test (BUMP Page)



This page allows the user to perform an automated Bump Test on the device. To perform the test, the ⏻ (YES) button is pressed.

See section 3.7 for details on performing the Calibration Check.

If the ▼ button is pressed, the Bump Test is not performed, and the display shows the next page in the sequence (PEAK).

If the ▲ button is pressed, the Bump Test is not performed, and the display reverts back to the normal MEASURE page.

2.4.2 Peak Readings (PEAK Page)

Monochromatic display symbol: **PEAK**

This page shows the highest levels of gas recorded by the device since turn-ON or since peak readings were reset.

To reset the peak readings:

- (1) Access the PEAK page.
- (2) Press the ▲ button.

NOTE: This page can be de-activated through MSA Link software.

2.4.3 Minimum Readings (MIN Page)

Monochromatic display symbol: **MIN**

This page shows the lowest level of oxygen recorded by the device since turn-ON or since the MIN reading was reset. It is only shown if an oxygen sensor is installed and enabled.

To reset the MIN reading:

- (1) Access the MIN page.
- (2) Press the ▲ button.

2.4.4 Short Term Exposure Limits (STEL Page)



WARNING

If the STEL alarm activates, leave the contaminated area immediately; the ambient gas concentration has reached the preset STEL alarm level. Failure to follow this warning will cause over-exposure to toxic gases and persons relying on this product for their safety could sustain serious personal injury or death.

Monochromatic display symbol: **STEL**

This page shows the average exposure over a running 15-minute period.

When the amount of gas detected by device is greater than the STEL limit:

- Alarm sounds
- Alarm LEDs flash
- "STEL ALARM" message flashes.

To reset the STEL:

- (1) Access the STEL page.
- (2) Press the ▲ button.

The STEL alarm is calculated over a 15-minute exposure.

STEL calculation examples:

Assume the device has been running for at least 15 minutes:

15 minute exposure of 35 ppm:

$$\frac{(15 \text{ minutes} \times 35 \text{ ppm})}{15 \text{ minutes}} = 35 \text{ ppm}$$

10 minute exposure of 35 ppm and 5 minute exposure of 15 ppm:

$$\frac{(10 \text{ minutes} \times 35 \text{ ppm}) + (5 \text{ minutes} \times 15 \text{ ppm})}{15 \text{ minutes}} = 25 \text{ ppm}$$

NOTE: This page can be de-activated through MSA Link software.

2.4.5 Time Weighted Average (TWA Page)



WARNING

If the TWA alarm activates, leave the contaminated area immediately; the ambient gas concentration has reached the preset TWA alarm level. Failure to follow this warning will cause over-exposure to toxic gases and persons relying on this product for their safety could sustain serious personal injury or death.

This page shows the average exposure over 8 hours since the device was turned ON or since the TWA reading was reset. When the amount of gas detected is greater than the eight-hour TWA limit:

Monochromatic display symbol:

TWA

- Alarm sounds
- Alarm LEDs flash
- "TWA ALARM" message flashes.

To reset the TWA Readings:

- (1) Access the TWA page.
- (2) Press the ▲ button.

The TWA alarm is calculated over an eight-hour exposure.

TWA calculation examples:

1 hour exposure of 50 ppm:

$$\frac{(1 \text{ hour} \times 50 \text{ ppm}) + (7 \text{ hours} \times 0 \text{ ppm})}{8 \text{ hours}} = 6.25 \text{ ppm}$$

4 hour exposure of 50 ppm and 4 hour exposure of 100 ppm:

$$\frac{(4 \text{ hours} \times 50 \text{ ppm}) + (4 \text{ hours} \times 100 \text{ ppm})}{8 \text{ hours}} = 75 \text{ ppm}$$

12 hour exposure of 100 ppm:

$$\frac{(12 \text{ hours} \times 100 \text{ ppm})}{8 \text{ hours}} = 150 \text{ ppm}$$

NOTE: This page can be de-activated through MSA Link software.

2.4.6 Date Display

Current date appears on the display in the format: **MM-DD-YY**.

2.4.7 LAST CAL Page

Displays the device last successful calibration date in the format: **MM-DD-YY**. This page can be deactivated through MSA Link software or the SETUP - CAL OPTIONS page.

2.4.8 CAL DUE Page

Displays the days until the device's next calibration is due (user selectable). This page can be deactivated through MSA Link software or the SETUP - CAL OPTIONS page.

2.4.9 MotionAlert Activation Page

When the MotionAlert feature is active, the **+** symbol appears. The device enters pre-alarm when no motion is detected for 20 seconds. This condition can be cleared by moving the device.

MotionAlert is turned OFF each time the device is powered OFF.

After 30 seconds of no motion, the full MotionAlert alarm is triggered. This alarm can only be cleared by pressing the **▲** button. This page displays if it was selected in Setup Mode.

To activate or deactivate the MotionAlert feature, press the **▲** button while the MOTIONALERT ACTIVATION page is displayed.

2.5 Sensor Missing Alarm

Enabled IR and XCell sensors are continuously monitored for proper function. If, during operation, the IR or an XCell sensor is detected as failed or disconnected, this alarm message appears.

If the IR or an XCell sensor is detected as missing or failed, the following occurs:

- "SENSOR MISSING" flashes on the display.
- The problematic sensor is indicated.
- The alarm sounds and the Fault and Alarm LEDs flash.
- The alarm can be silenced by pressing the **▲** button; no other pages can be viewed.

**WARNING**

When this alarm occurs, the device is inoperative for measuring gases. The user must exit the hazardous area, the device must be powered down, and the sensor situation must be corrected.

2.6 Monitoring Toxic Gases

The device can monitor the concentration of a variety of toxic gases in ambient air. Which toxic gases are monitored depends on the installed sensors.

The device displays the gas concentration in parts per million (ppm) or mg/m³ on the MEASURING page.


WARNING

If an alarm is triggered while using the device, leave the area immediately.
 Remaining in the area under such circumstances can cause serious personal injury or death.

The device has four gas alarms:

- HIGH Alarm
- LOW Alarm
- STEL Alarm
- TWA Alarm

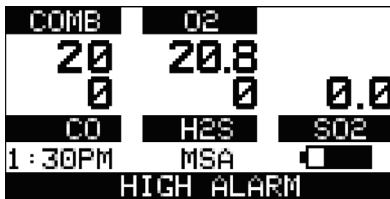


Fig. 5 Alarm Conditions (here High Alarm)

If the gas concentration reaches or exceeds the alarm set point or the STEL or TWA limits, the:

- alarm message displays and flashes in combination with the corresponding gas concentration
- backlight turns on
- alarm sounds (if active)
- alarm LEDs flash (if active)
- vibrating alarm triggers (if active).

2.7 Monitoring Oxygen Concentration

The device monitors the oxygen concentration in ambient air. The alarm set points can be configured to activate on two different conditions:

- Enriched - oxygen concentration > 20.8 Vol % or
- Deficient - oxygen concentration < 19.5 Vol %.



WARNING

If an alarm activates while using the device, leave the area immediately.
Remaining in the area under such circumstances can cause serious personal injury or death.

When the alarm set point is reached for either of the above conditions:

- the alarm message displays and flashes in combination with the oxygen gas concentration
- backlight turns ON
- alarm sounds (if active)
- alarm LEDs flash (if active)
- vibrating alarm triggers (if active)

The LOW alarm (oxygen deficient) is latching and will not automatically reset even when the O₂ concentration rises above the LOW set point. To reset the alarm, press the ▲ button. If the alarm is latching, the ▲ button silences the alarm for five seconds. Alarms can be made latching or unlatching via MSA Link software.

False oxygen alarms can occur due to changes in barometric pressure (altitude), humidity or extreme changes in ambient temperature.

It is recommended that an oxygen calibration be performed at the temperature and pressure of use. Be sure that the device is in known fresh air before performing a calibration.

2.8 Monitoring Combustible Gases

The device can be equipped with a catalytic combustible sensor that detects a variety of combustible gases up to 100 % LEL and displays the reading as either % LEL or % CH₄. The ALTAIR 5X IR can also contain an IR combustible sensor. The IR sensor displays the reading in % Vol.



WARNING

If an alarm is triggered while using the device, leave the area immediately.
Remaining in the area under such circumstances can cause serious personal injury or death.

The catalytic combustible sensor has two alarm setpoints:

- HIGH Alarm
- LOW Alarm

If the gas concentration reaches or exceeds the alarm setpoint, the device:

- alarm message displays and flashes in combination with the corresponding gas concentration:
- backlight turns ON
- alarm sounds (if active)
- alarm LEDs flash (if active)
- vibrating alarm triggers (if active).

The 100 % Vol IR sensors have no alarm setpoints.

2.9 Gas Exposure of 100 % LEL

When the reading from the catalytic combustible sensor reaches 100 % of the lower explosive limit (LEL), the device enters a LockAlarm state and displays "XXX" in place of the actual reading.



WARNING

A catalytic combustible gas reading of "XXX" indicates the atmosphere may be above 100 % LEL or 5.00 % Vol CH₄ and an explosion hazard exists. Move away from contaminated area immediately.

For ALTAIR 5X IR devices with an enabled 100 % Vol methane IR sensor, the LockAlarm will clear, and the catalytic combustible again displays combustible concentrations when the gas sample drops to a lower level.

For devices without an enabled 100 % Vol methane IR sensor, the user can clear the LockAlarm state only by turning the device OFF, and then ON again in a fresh air environment.

When catalytic combustible gas reading digits appear, the device is available for measuring gases once again.

NOTE: LockAlarm of the catalytic combustible sensor occurs during Bump Testing and calibration of a % Vol combustible IR sensor.

After the IR sensor Bump Test, the LockAlarm must be cleared (as described above) before the catalytic combustible sensor is again able to measure and provide readings.

3 Operation

Device operation is dialog driven from the display with the aid of the three function buttons (see section 2.2.1).

3.1 Environmental Factors

A number of environmental factors may affect the gas sensor readings, including changes in pressure, humidity and temperature. Pressure and humidity changes affect the amount of oxygen actually present in the atmosphere.

Pressure Changes

If pressure changes rapidly (e.g., stepping through airlock), the oxygen sensor reading may temporarily shift and possibly cause the device to go into alarm. While the percentage of oxygen may remain at or near 20.8 % Vol, the total amount of oxygen present in the atmosphere available for respiration may become a hazard if the overall pressure is reduced by a significant degree.

Humidity Changes

If humidity changes by any significant degree (e.g., going from a dry, air conditioned environment to outdoor, moisture laden air), oxygen readings can be reduced by up to 0.5 % due to water vapor in the air displacing oxygen.

The oxygen sensor has a special filter to reduce the effects of humidity changes on oxygen readings. This effect will not be noticed immediately, but slowly impacts oxygen readings over several hours.

Temperature Changes

The sensors have built-in temperature compensation. However, if temperature shifts dramatically, the sensor reading may shift temporarily.

3.2 Turning ON and Fresh Air Setup

Device operation is dialog driven from the display with the aid of the three function buttons (see section 2.2.1).

For more information, see the flow charts in section 7.

Turn the device ON with the \odot button.

The device performs self tests:

During the self test, the device checks alarm LEDs, audible alarm, vibrating alarm and installed sensors.

The device displays:

- Startup logo
- Software version, device serial number, company name, department and user names
- Sampling system safety test (see section 3.2.1.)

During the turn-ON sequence, if a sensor was changed since the previous device operation, the current listing of the installed sensors displays and user interaction is required.

- ▷ The user must accept the new configuration by pressing the \blacktriangle button.
- ▷ If the current sensor configuration is not accepted, the device alarms and is not usable.

- Combustible gas type and installed sensor indication
- Combustible gas type and sensor units (monochrome display only)
- Low Alarm setpoints
- High Alarm setpoints
- STEL Alarm setpoints (if enabled)
- TWA Alarm setpoints (if enabled)
- Settings for calibration cylinder
- Current date
- Last calibration date (if enabled)
- CAL due date. If the calibration due date is enabled, the message "**CAL DUE; X DAYS**" appears on the device display.

- X = the number of days until a calibration is due, user selectable for 1 to 180 days.

If the number of days until calibration is due reaches 0, an alert occurs and "**CAL DUE, NOW**" displays.

- Press the \blacktriangle button to clear the alert.
- Sensor warm-up period
- Fresh Air Setup option (if enabled).

The Main Measure Page will appear.

The presence of a \heartsuit indicator on the display means a sensor is approaching or has reached its end-of-life. See section 2.2.3 for details on the Sensor Life Alarm situation.

Refer to flowchart in section 7.1.

3.2.1 Sampling System Safety Test



WARNING

Do not use the pump, sample line, or probe unless the pump alarm activates when the flow is blocked. Lack of an alarm is an indication that a sample may not be drawn to the sensors, which could cause inaccurate readings.

Failure to follow the above can result in serious personal injury or death.

Never let the end of the sampling line touch or go under any liquid surface. If liquid is drawn into the device, readings will be inaccurate and device could be damaged. We recommend the use of an MSA sample probe containing a special membrane filter, permeable to gas but impermeable to water, to prevent such an occurrence.

Upon startup, an alarm (visual, audible and vibrating) is triggered and the customer is prompted to block the pumps/sampling system of the device within 30 seconds.

When the device detects a pump flow block, it will display a "**PASS**" message. The startup sequence will resume.

If the device does not detect a pump flow block, it will display an error message.

The device will shut OFF after the customer acknowledges this message by pressing the ▲ button.

Check your sampling system if this occurs and contact MSA as needed.

Users can check the operation of the sampling system anytime during operation by blocking the sampling system to generate a pump alarm.

3.2.2 Fresh Air Setup (FAS) at Device Turn-ON

⚠ WARNING	
<p>Do not perform the Fresh Air Setup unless you are certain you are in fresh, uncontaminated air. Otherwise, inaccurate readings can occur which can falsely indicate that a hazardous atmosphere is safe. If you have any doubts as to the quality of the surrounding air, do not use the Fresh Air Setup feature. Do not use the Fresh Air Setup as a substitute for daily calibration checks. The calibration check is required to verify span accuracy. Failure to follow this warning can result in serious personal injury or death.</p>	

The Fresh Air Setup (FAS) is for device ZERO adjustment.

The FAS has limits. If a hazardous level of gas is present, the device ignores the FAS command and the device alarm activates.

The ability to perform an FAS at device turn-ON can be disabled by using MSA Link software.

NOTE: The Fresh Air Setup does not apply to the CO₂ sensor.

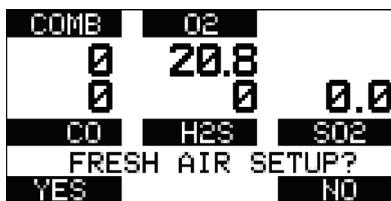


Fig. 6 Fresh Air Setup

The device displays a flashing "FRESH AIR SETUP?", prompting the user to perform a Fresh Air Setup:

- (1) Press the ▲ button to bypass the Fresh Air Setup.
 - ▷ The Fresh Air Setup is skipped and the device goes to the MEASURING page (MAIN page).
- (2) Press the ▼ button to perform the Fresh Air Setup.
 - ▷ The device starts the FAS sequence and the FAS screen displays.
 - ▷ A progress bar shows the user how much of the FAS has been completed.
 - ▷ At the end of the FAS, the device displays either "FRESH AIR SETUP PASS" or "FRESH AIR SETUP FAIL".

If the FAS fails, perform a zero calibration (see section 3.8.1).

3.2.3 Special Consideration for Oxygen Sensor

Under the following situations, the oxygen sensor display reading may be suppressed for up to 30 minutes at device turn-ON as a sensor 'cook down' is performed.

This could occur if:

- the oxygen sensor was just installed
- the battery pack was allowed to be deep-discharged
- the battery pack was removed from the device.

During this time, the oxygen sensor numeric position on the display indicates "PLEASE WAIT". While this message displays, the device cannot respond to a:

- Fresh Air Setup
- Calibration
- Calibration Check Test procedure.

When the numeric oxygen reading appears, the FAS, calibration or Calibration Check Test procedures may be performed.

3.3 Measurement Mode (Normal Operation)

The following OPTION pages can be executed from the Main Measurement screen:

For further information see section 2.4.

BUMP page	This page allows user to perform a Bump Test on installed sensors. See section 3.7.
PEAK Page*	This page shows the peak readings for all sensors.
MIN Page	This page shows the minimum readings for the oxygen sensor.
STEL Page*	This page shows the calculated STEL readings of the device.
TWA Page*	This page shows the calculated TWA readings of the device.
Date Page	This page shows actual date settings of the device.
LAST CAL	This page shows the date of the last calibration. If the device does not have a valid calibration, it will display "LAST CAL INVALID".
CAL DUE*	This page shows the set date for the next calibration.
MOTIONALERT	This page allows the MotionAlert Feature to be activated or deactivated.

* The display of these pages can be de-activated through MSA Link software.

3.4 Device Setup

The device has provisions to access and modify the following parameters through direct button interface:

- Calibration Options
- Alarm Options
- Instrument Options

These menus can be accessed only from the MEASURE page by pressing and holding the ▼ and ▲ buttons simultaneously until you are prompted for a password.

The operation is as follows:

- (1) Turn the device ON and wait until the MEASURE page appears.
- (2) Simultaneously press and hold the ▼ and ▲ buttons for approximately five seconds.
 - ▷ The default password is "672".
- (3) Enter the first digit by pressing the ▼ or ▲ button and confirm with the Ⓞ button.
 - ▷ The cursor jumps to the second digit.
- (4) Enter the second and the third digits.
 - ▷ Incorrect password: device returns to the MAIN Page.
 - ▷ Correct password: user can enter the Setup mode.

The password can be changed with a PC through the MSA Link software.

If the password is forgotten, it can be reset by using MSA Link software. Contact MSA Customer Service for assistance.

The following Options are available by pressing the ▼ and ▲ buttons:

- Calibration Options - see section 3.4.1
- Alarm Options - see section 3.4.2
- Instrument Options - see section 3.4.3.

3.4.1 Calibration Options

The Calibration Options menu has provisions to:

- modify the calibration cylinder settings (CYLINDER SETUP)
- enable/disable calibration due date notification and to set the number of days (CAL DUE OPTIONS)

When enabled, the number of days until due date of device calibration displays during the turn-ON process.

- enable/disable the option to show the last cal date at turn on and (LAST CAL DATE)
When enabled, the date of the last device calibration displays during the turn-ON process.
- enable/disable the option for password protected calibration (CAL PASSWORD)
When enabled, the device setup password must be entered prior to calibration.

Press:

- the ▼ button go to next page
- the ▲ button to go previous page
- the ⏺ button to enter setup.

Setting Calibration Cylinder

This option has a dialog similar to the span calibration dialog.

The display shows all active sensors.

- (1) Press the ⏺ button to enter setup.
 - ▷ The screen for the first calibration cylinder displays.
- (2) Press
 - ▷ the ▼ or ▲ button to change the value.
 - ▷ the ⏺ button to confirm the setup.

With this confirmation the device automatically moves to the next cylinder setting.

- (3) Repeat the sequence for changing the required settings for all necessary gas values.
 - ▷ After the last setting is performed, the device returns to the Calibration Options menu.

Setting Cal Due Options

- (1) Press the ⏺ button to enter setup.
- (2) Press the ▼ or ▲ button to enable/disable this option.
- (3) Press the ⏺ button to confirm.
 - ▷ After confirmation, the device prompts the user to enter the number of days for the reminder.
- (4) Change number of days by pressing the ▼ or ▲ button.
- (5) Press the ⏺ button to go to the next menu.

Setting Last Cal Date

- (1) Press the ⏺ button to enable/disable this option.
- (2) Press the ▼ button to go to the next page.
- (3) Press the ▲ button to go to the previous page.

Setting Calibration Password

- (1) Press the ϕ button to enable/disable this option.
- (2) Press the \blacktriangledown button to go to the next page.
- (3) Press the \blacktriangle button to go to the previous page.

Back To Main Menu

- (1) Press the ϕ button to go to Device Setup Menu.
 - ▷ The Cal Options screen displays.
- (2) Press the \blacktriangledown button to go to the next page (Alarm options) or the \blacktriangle button to exit the Setup menu.

3.4.2 Alarm Options

The Alarm Options Menu allows user to:

- enable/disable the vibrating alarm
- enable/disable the audible alarm (horn)
- enable/disable the Alarm LEDs
- enable/disable the MOTIONALERT SELECTION page.
If disabled, the user cannot change the device MotionAlert setting.
- set Sensor Alarms.

Press

- the \blacktriangledown button go to next page
- the \blacktriangle button to go previous page
- the ϕ button to enter setup.

Setting Vibrating Alarm

Press the ϕ button to enable/disable this option.

Setting Horn Alarm

Press ϕ button to enable/disable this option.

Setting LED Alarm

Press ϕ button to enable/disable this option.

Setting MotionAlert Access

Setting this parameter allows the user to access the MOTIONALERT page from the MEASURE page.

If access is denied here:

- the user cannot access the MOTIONALERT page to enable or disable that feature
 - the InstantAlert feature (see section 2.2.3) cannot be activated.
- (1) To grant or deny user access to the MOTIONALERT page, use the button to change the indicated selection.
User access is:
 - ▷ permitted when the setting indicates ON.
 - ▷ denied when the setting indicates OFF.
 - (2) The selection is confirmed by pressing either the \blacktriangledown or \blacktriangle button.

Setting Sensor Alarms

This page allows modifying the preset alarm values of:

- LOW Alarm
- HIGH Alarm
- STEL Alarm
- TWA Alarm.

NOTE: Factory-set alarm values are shown in section 5.2

- (1) Press the ϕ button to enter Sensor Alarm setup.
 - ▷ LOW Alarm Setup screen displays.

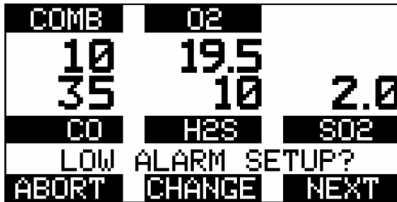


Fig. 7 Sensor Alarm Setup

- (2) Press:
 - the ▼ button to abort the operation or
 - the ▲ button to go to next alarm setup or
 - the ϕ button to change the alarm setpoints.
 - ▷ Alarm Value for the first Sensor displays.



Fig. 8 Sensor Alarm Setup

- (3) Set values for Sensor Alarm by pressing the ▼ or ▲ button.
- (4) Press the ϕ button to confirm set value.
- (5) Repeat setting for all other sensors.
- (6) Press the ▲ button to return to the Alarm Options menu.
- (7) Repeat setting for all other alarm types.

3.4.3 Instrument Options

The Instrument Options menu allows the user to modify different device options:

- Sensor Setup (enable/disable the channel)
- Language Setup
- Time and Date Setup
- Datalog Intervals
- Stealth Mode
- Operating Beep
- Display Contrast (monochrome only)
- Backlight Options

Press

- the ▼ button go to next page
- the ▲ button to go previous page
- the Ⓞ button to enter setup.

Setting Sensor Options

- (1) Press the Ⓞ button to enter setup.
 - ▷ The following screen displays:

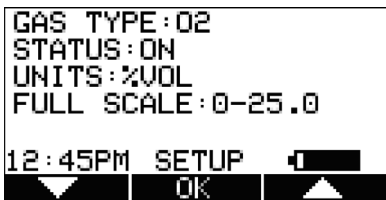


Fig. 9 Sensor Options Setup

- (2) Press the ▼ button to select sensor, press the Ⓞ button to make changes.
 - ▷ The sensor information is displayed and the sensor can be enabled or disabled.

NOTE: Other operations such as changing the gas type (Methane, Butane, Propane etc. for the combustible sensor) and units (ppm to mg/m³) are only possible using the MSA Link software.

- (3) Change status by pressing the ▼ or ▲ button.
- (4) Press the Ⓞ button to confirm and advance to next screen (next sensor).
- (5) Perform the sequence for all other sensors.
 - ▷ After setting up the last sensor, the device goes to the next Setup Page.

Language Setup

This option is for setting the language of the device.

- (1) Press the Ⓞ button to enter setup.
- (2) Change language by pressing the ▼ or ▲ button.
- (3) Confirm with the Ⓞ button.
 - ▷ The device goes to the next Setup Page.

Time and Date Setup

This option is for setting the device time and date. The device first prompts to set the time and then it prompts for the date.

NOTE: The time can be set up for either regular AM/PM or military time (through MSA Link software). AM/PM time is the default setting.

- (1) Press the ϕ button to enter setup.
- (2) Change hours by pressing the \blacktriangledown or \blacktriangle button.
Increment through noon for PM hours.
- (3) Confirm with the ϕ button.
- (4) Change minutes by pressing the \blacktriangledown or \blacktriangle button.
- (5) Confirm with the ϕ button.
▷ The device goes to the SET DATE Page.
- (6) Change month, date and year by pressing the \blacktriangledown or \blacktriangle button and confirming with the ϕ button.
▷ The device goes to the next Setup Page.
- (7) Confirm with the ϕ button.
▷ The device goes to the next SETUP Page.

Setting Datalog Intervals

This option is for setting the intervals at which all the readings are logged.

- (1) Press the ϕ button to enter setup.
- (2) Change interval by pressing the \blacktriangledown or \blacktriangle button.
- (3) Confirm with the ϕ button.
▷ The device goes to the next SETUP Page.

Setting Stealth Mode

Stealth mode disables the visual, audible and vibrating alarms.

- (1) Press the ϕ button to change mode (ON/OFF).
- (2) Press the \blacktriangledown button to go to the next page or the \blacktriangle button to return to the previous page.

Setting Operating Beep

- (1) Press the ϕ button to change mode (ON/OFF).
- (2) Press the \blacktriangledown button to go to the next page or the \blacktriangle button to return to the previous page.

Setting Display Contrast (monochrome display)

- (1) Press \blacktriangledown or \blacktriangle button to adjust the contrast level.
- (2) Press ϕ button to confirm the contrast level.

Setting Backlight

- (1) Press the ϕ button to enter setup.
- (2) Change option by pressing the \blacktriangledown or \blacktriangle button.
- (3) Press the ϕ button to enter.
- (4) Change timeout by pressing the \blacktriangledown or \blacktriangle button.
- (5) Press ϕ button to confirm timeout.

Back To Main Menu

There are three options at this point:

the \blacktriangledown button	Sensor Options menu
the \blacktriangle button	PREVIOUS SETUP Page in the Instrument Options menu
the ϕ button	Instrument Options menu

3.5 MSA Link Operation

Connecting device to PC

- (1) Switch ON the device and align the Datalink Communication port on the device to the IR interface of the PC.
- (2) Start the MSA Link software on the PC and start the connection by clicking the connect icon.

NOTE: See MSA Link documentation for detailed instructions.

3.6 Function Tests on the Device

Alarm Test

- (1) Turn ON the device.

The user should verify that:

- alarm LEDs flash
- horn sounds briefly
- vibrating alarm triggers briefly.

3.7 Calibration Check



WARNING

Perform a Calibration Check before each day's use to verify proper device operation. Failure to perform this test can result in serious personal injury or death.

This test quickly confirms that the gas sensors are functioning. Perform a full calibration periodically to ensure accuracy and immediately if the device fails the Calibration Check.

The GALAXY® GX2 Test System can also be used to perform a Calibration Check.

NOTE: The GALAXY® GX2 cannot test the following sensors: Chlorine Dioxide.

For these sensors, use this Calibration Check procedure.

3.7.1 Equipment

See section 6.2 for ordering information for these components.

- Calibration Check Gas Cylinder(s)
See section 5.4 for calibration gas target values and appropriate MSA calibration gas cylinders.
- Demand Flow Regulator(s)
- Tubing appropriate for the gases to be tested
- Kits containing tubing and regulators suitable for reactive and non-reactive gases are available from MSA.

3.7.2 Performing a Calibration Check

The calibration check is simple and should only take about one minute.

Perform this calibration check before each day's use

For ALTAIR 5X IR units with combustible % Vol IR sensors, the following gas level should not be exceeded when used for daily Calibration Checks:

IR Methane 100% Vol - 20% Methane Cal Check gas


- (1) Turn ON the device in clean, fresh air.
- (2) Verify that readings indicate no gas is present.
- (3) Attach demand regulator (supplied with calibration kit) to the cylinder.
- (4) Connect tubing (supplied with calibration kit) to the regulator.
- (5) Attach calibration tube to the ALTAIR 5X Multigas Detector pump inlet.
 - ▷ The reading on the device display should be within the limits stated on the calibration cylinder or limits determined by your company.
 - ▷ If necessary, change cylinder to introduce other calibration gases.
 - ▷ If readings are not within these limits, the device requires recalibration. See section 3.8.

If a device fails the Calibration Check, calibrate the device as described in section 3.8

3.8 Calibration

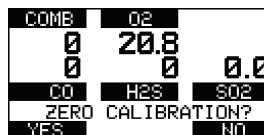
The ALTAIR 5X instrument can be calibrated either manually by using this procedure or automatically by using the GALAXY® GX2 Test System. See section 3.9 for additional GALAXY® GX2 information. The use of the demand regulators listed in section 6.2 is recommended.

If a new sensor has been installed, the battery pack has been depleted or a new battery pack has been installed, allow sensors to stabilize for 30 minutes before calibration is performed.

	WARNING
<p>Special conditions with toxic gases!</p> <p>If the device is to be checked or calibrated for reactive gases, prerequisites are required; otherwise, incorrect calibration would result in incorrect device operation.</p> <p>Reactive toxic gases (e.g., chlorine, ammonia, chlorine dioxide) have the property of diffusing into the rubber and plastic tubes so that the volume of test gas available in the device would no longer be sufficient to correctly perform device calibration.</p> <p>When calibrating the device with toxic gases, certain prerequisites are required, otherwise incorrect calibration could result:</p> <ul style="list-style-type: none"> - A special pressure regulator - Shortest possible connection tubes between the pressure regulator and the device - Connection tubes made from a material that does not absorb the test gases (e.g., PTFE). <p>NOTE: If using normal tubes and pressure regulators, expose them to the required test gas for an extended time period. Keep these materials dedicated for use with that test gas only; do not use them for other gases.</p> <p>For example: for chlorine, allow the entire contents of a test gas cylinder to flow through the pressure regulator and tubes before using to calibrate the device. Mark these materials for use with chlorine only.</p>	

3.8.1 Zero Calibration

- (1) Press the ▲ button for five seconds in NORMAL MEASUREMENT page.
 - ▷ ZERO screen displays.



To skip the ZERO procedure and move directly to the span calibration procedure, push the ▲ button.

If no button is pushed for 30 seconds, the device prompts user to perform a SPAN calibration before device returns to the NORMAL MEASUREMENT page.

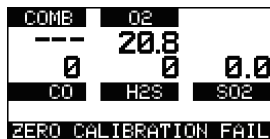
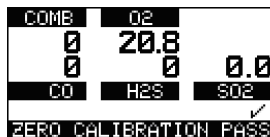
To perform ONLY a Fresh Air Setup at this time, press the Ⓞ button. The device then performs a Fresh Air Setup as described in section 3.2.2. When the Fresh Air Setup is complete, the device returns to the normal Measure screen.

- (2) Press the ▼ button to confirm the ZERO screen, i. e. to execute zero calibration.
 - ▷ The message "SENSOR REFRESH" displays, followed by the message "ZERO CALIBRATION".
 - ▷ The "REFRESH" message does not appear if a catalytic combustible sensor is not installed.
 - ▷ ZERO calibration starts.
 - ▷ A progress bar shows the user how much of the calibration has been completed.



NOTE: During the first moments of a ZERO calibration, the combustible sensor reading may be replaced by a moving display of "PLEASE WAIT". This is normal.

- ▷ After the ZERO calibration is completed, the device displays either
"ZERO CALIBRATION PASS"
or
"ZERO CALIBRATION FAIL".



- ▷ Only if the device passes the zero calibration, the SPAN screen displays.



3.8.2 Span Calibration

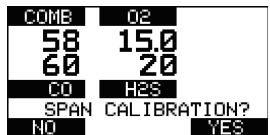
To skip the Span calibration procedure, push the ▲ button.

NOTE: If the SPAN calibration of the combustible sensor is skipped after a successful ZERO calibration, the combustible sensor reading may be replaced with a moving display of "PLEASE WAIT" for a few moments. This is normal and the device is fully operational once a combustible gas reading reappears.

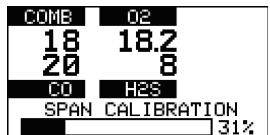
If no button is pushed for 30 seconds, span calibration is skipped.

Because of the different possible combinations of gases that are possible, skipping a Span calibration could advance the user to the Span calibration of another installed sensor, or back to Measuring mode. When calibrating with combustible gases > 100 % LEL, select the "Yes" option to prompt "Span Calibration?" BEFORE applying gas to the device.

- (1) Connect one end of tubing to the cylinder regulator (supplied in the calibration kit).
- (2) Connect the other end of the tubing to the pump inlet.



- (3) Press the ▼ button to calibrate (span) the device.
 - ▷ "SPAN CALIBRATION" flashes
 - ▷ SPAN calibration starts.
 - ▷ A progress bar shows the user how much of the calibration has already been completed.



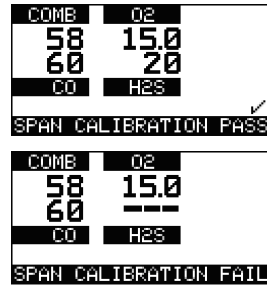
- ▷ After the SPAN calibration is completed, the device displays either

“SPAN CALIBRATION PASS”

or

“SPAN CALIBRATION FAIL”

- ▷ The device returns to Measuring mode.



If a sensor is nearing its end-of-life, the "PASS" display is followed by the Sensor Life indicator ♥ display.

- While the sensor is still fully functional, this warning gives the user time to plan for a replacement sensor to minimize downtime.
- The ♥ indicator blinks as the device returns to Measure mode.
- After 15 seconds, the blinking stops, but the ♥ indicator continues to display during ongoing operations as a reminder of a sensor's pending end-of-life.

If a span calibration fails:

- The Sensor Life Indicator ♥ blinks to show a sensor has reached its end-of-life and should be replaced.
- The device remains in the Sensor Life alarm condition until the ▲ button is pressed.
- After the alarm is cleared, the device enters Measure mode and the Sensor Life indicator ♥ blinks during ongoing operations until the sensor is replaced and/or successfully calibrated.

Span calibration can fail for reasons other than a sensor at the end of its life. If a span calibration failure occurs, verify items such as:

- sufficient gas remaining in the calibration cylinder
- gas expiration date
- integrity of calibration tubing/fittings, etc.

NOTE: Reattempt the span calibration before replacing the sensor.

3.8.3 Finishing Successful Calibration

Remove the calibration tube from pump inlet.

- The calibration procedure adjusts the span value for any sensor that passes the calibration test. Sensors that fail calibration are left unchanged.
- In the ALTAIR 5X IR, a combustible IR sensor calibration causes the catalytic combustible sensor to enter the LockAlarm condition.
 - A device with a % Vol methane IR sensor automatically recovers from LockAlarm. For other devices, the Lock-Alarm state is cleared by turning the device OFF, then ON while in a fresh air environment. See section 2.9 for details.
- Since residual gas may be present, the device may briefly go into an exposure alarm after the calibration sequence is completed.
 - Clear the alarm as necessary.
- A ✓ symbol displays on the MEASURE page.
- This ✓ symbol:
 - appears on the monochrome display in the lower right corner
 - remains on the display for 24 hours after the calibration
 - goes OFF after 24 hours.

US

3.9 Calibration with the GALAXY® GX2 Test System

The device can be calibrated using the GALAXY® GX2 Automated Test System - contact MSA for a list of compatible gases and concentrations.

Similar to the successful (manual) calibration described in section 3.8.3, a √ symbol displays on the MEASURE page after successful GALAXY® GX2 calibration.

This √ symbol :

- appears on the monochrome display in the lower right corner
- remains on the display for 24 hours after the calibration
- goes OFF after 24 hours.

3.10 Device Shutdown

For device shutdown press and hold the ⓪ button.




Fig. 10 Shutdown




The device displays a blinking "HOLD BUTTON FOR SHUTDOWN" and a progress bar shows the user how much longer to hold the button to complete the shutdown.

4 Maintenance

If irregularities occur during operation, use the displayed error codes and messages to determine appropriate next steps.

 WARNING
<p>Repair or alteration of the device beyond the procedures described in this manual or by anyone other than a person authorized by MSA, could cause the unit to fail to perform properly. Use only genuine MSA replacement parts when performing any maintenance procedures described in this manual. Substitution or incorrect installation of components can seriously impair performance of the unit, alter intrinsic safety characteristics or void agency approvals. Failure to follow this warning can result in serious personal injury or death.</p>

4.1 Troubleshooting

Error State	Details	Recommended Action
ERROR_ADC	Analogue measurement error	Contact MSA
ERROR_MEM	Memory error	Contact MSA
ERROR_PROG	Program error	Contact MSA
ERROR_RAM	RAM error	Contact MSA
LOW BATTERY		
 (flashing)	Battery Warning repeats every 30 seconds	Remove from service as soon as possible and recharge or replace battery
BATTERY ALARM	Battery is completely discharged	Device is no longer sensing gas; remove from service and recharge or replace battery.
Device does not turn ON	Battery fully discharged	Remove from service as soon as possible and recharge or replace battery pack
MISSING SENSOR	Sensor damaged or missing	Replace sensor
NO SENSORS	No sensors are enabled	Device must have at least one sensor enabled at all times
	Sensor warning	Sensor is near its end-of-life
 (flashing)	Sensor alarm	Sensor has reached end-of-life and cannot be calibrated; replace sensor and recalibrate
PUMP_ERROR	Pump malfunction or flow path blockage	Check flowpath for blockage. If error persists, remove from service.
INVALID CONFIGURATION	Sensor(s) installed in incorrect location.	Install sensors as shown in Fig. 13.

US

4.2 Verifying Pump Operation

Users can check operation of the sampling system any time during operation by blocking the sampling system to generate a pump alarm.

When the pump inlet, sample line or probe is blocked, the pump alarm must activate.

Once gas readings are displayed, plug the free end of the sampling line or probe.

- The pump motor shuts down and an alarm sounds.
- "PUMP ERROR" flashes on the display.

◇ Press the ▲ button to reset the alarm and restart the pump.

If the alarm does not activate:

- Check the sample line and probe for leaks.
- Once leak is fixed, recheck pump alarm by blocking the flow.

◇ Press the ▲ button to reset the alarm and restart the pump.



WARNING

Do not use the pump, sample line, or probe unless the pump alarm activates when the flow is blocked. Lack of an alarm is an indication that a sample may not be drawn to the sensors, which could cause inaccurate readings. If a sample line or probe is installed and the pump alarm does not activate, remove the line or probe and repeat the test. This will provide information on where the blockage is located.

Failure to follow the above can result in serious personal injury or death.

Never let the end of the sampling line touch or go under any liquid surface. If liquid is drawn into the device, readings will be inaccurate and device could be damaged. We recommend the use of an MSA sample probe containing a special membrane filter, permeable to gas but impermeable to water, to prevent such an occurrence.

During operation, a pump alarm may occur when the:

- Flow system is blocked
- Pump is inoperative
- Sample lines are attached or removed.

To Clear Pump Alarm

- (1) Correct any flow blockage.
- (2) Press the ▲ button.
 - ▷ The Pump will now restart.

4.3 Replacing the Battery



WARNING

Never replace the battery in a hazardous area. This could result in an explosion.



Fig. 11 Battery Replacement

- (1) Unscrew the two captive screws on the rear of the device.
- (2) Pull the battery pack out of the device by gripping the sides and lifting it up and away from the device.



Fig. 12 Battery Replacement

For alkaline battery packs (ALTAIR 5X only):

- (3) Remove the battery holder circuit board from the pack door.
- (4) Replace the 3 cells, using only those listed on the label.
 - ▷ Be sure to observe proper polarity on the cells.
- (5) Place the battery holder circuit board back in the pack door, and re-install the door into the device.
- (6) Tighten the two screws.

4.4 Live Maintenance Procedure - Sensor Replacement

Any factory-installed Series 20 sensor may be removed or replaced with a like type. The user may not change the type of any sensor. If the type of any sensor (including the IR sensor) is to be changed, the device must be returned to an authorized service center. See figure 13 for sensor placement.

⚠ CAUTION

Before handling the PC board, ensure you are properly grounded; otherwise, static charges from your body could damage the electronics. Such damage is not covered by the warranty. Grounding straps and kits are available from electronics suppliers.

⚠ WARNING

Remove and re-install sensors carefully, ensuring that the components are not damaged; otherwise device intrinsic safety may be adversely affected, wrong readings could occur, and persons relying on this product for their safety could sustain serious personal injury or death.

⚠ CAUTION

While device case is open, do not touch any internal components with metallic/conductive objects or tools. Damage to the device can occur.

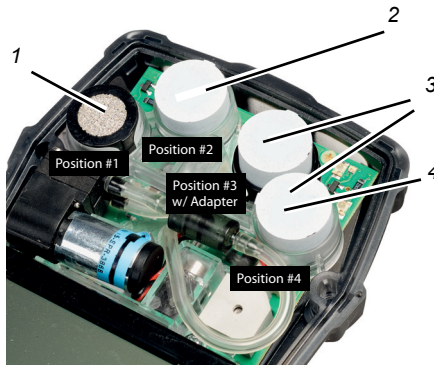


Fig. 13 Possible positions for sensor replacement

- | | | | |
|---|---------------------------------------------|---|------------------------------------------------------------------------------------|
| 1 | Combustible sensor | 3 | NH ₃ , CL ₂ , SO ₂ sensor (position with adapter) |
| 2 | O ₂ , CO-H ₂ S sensor | 4 | CO-H ₂ S sensor |

US

- (1) Verify that the device is turned OFF.
- (2) Remove the battery pack.
- (3) Remove the two remaining case screws, and remove the case front.
- (4) Gently remove the sensor to be replaced.
- (5) Carefully align the new sensor contact pins with the sockets on the printed circuit board.
- (6) Press the new sensor into place.
- (7) Note the position restrictions in the table above.
 - ▷ Adapter (P/N 10110183) is required for XCell usage in Position #3.
 - ▷ Ensure that a sensor plug is properly installed in any position that does not have a sensor.
 - ▷ The plug for XCell positions is P/N 10105650.
 - ▷ The Series 20 plug is P/N 10088192.

SENSOR	OPERATIONAL ONLY IN POSITION
XCell combustible sensor	#1
XCell O ₂ sensor	#2
XCell CO-H ₂ S Two-tox sensor	#2 or #4
XCell SO ₂ , Cl ₂ , NH ₃	#3 or #4
XCell CO-HC	#4
Series 20 sensor	#3

- (8) Re-install the sensor gasket in the case front.
- (9) Re-install the front case, screws, and battery pack.

If a change in XCell Sensor configuration is detected during the device turn-ON process:

 - The "ACCEPT?" prompt appears on the display
 - The ▼ button accepts the sensor configuration
 - The ▲ button rejects the sensor configuration; the device is not operational.

When an XCell sensor is replaced, the device automatically enables the sensor after the change has been accepted. If a Series 20 sensor is replaced, it must be manually enabled (see section 3.4.3).
If the oxygen sensor was replaced, see section 3.2.3 regarding the oxygen reading display.
- (10) After installation of new sensors, allow them to stabilize at least 30 minutes before calibration.
- (11) Calibrate device before use.

WARNING

Calibration is required after a sensor is installed; otherwise, the device will not perform as expected and persons relying on this product for their safety could sustain serious personal injury or death.

US

4.5 Replacing the Pump Filter

- (1) Turn OFF the device.
- (2) Unscrew the two captive screws from the clear filter cover on the back of the device to access the filter.
- (3) Carefully lift out the O-ring and the filter disk.
- (4) Use both the paper-like filter and the fibrous dust filter (the thicker disk) as supplied in Maintenance Kit (P/N 10114949) if the device is NOT configured to use a reactive toxic gas sensor (does not have a Cl₂, ClO₂, or NH₃ sensor).

Use ONLY the paper filter supplied in the Reactive Gas Maintenance Kit (P/N 10114950) if the device IS configured to use a reactive toxic gas sensor (Cl₂, ClO₂, or NH₃).

Place the new paper-like filter into the recess in the back of the device. If it is to be used, place the fibrous dust filter into the clear filter cover.



CAUTION

Use of the fibrous dust filter or the incorrect paper filter for the measurement of reactive gases could cause erroneous readings.

- (5) Replace the O-ring in the recess.
- (6) Re-install the clear filter cover on the back of the device.

4.6 Cleaning the Device Exterior

Clean the exterior of the device regularly using only a damp cloth. Do not use cleaning agents as many contain silicones which will damage the combustible sensor.

4.7 Storage

When not in use, store the device in a safe, dry place between 65 °F (18 °C) and 86 °F (30 °C). After storage, always recheck device calibration before use. If not to be used in 30 days, remove battery pack or connect it to a charger.

4.8 Shipment

Pack the device in its original shipping container with suitable padding. If the original container is unavailable, an equivalent container may be substituted.

5 Technical Specifications/Certifications

5.1 Technical Specifications

Weight	1 lb. (0.45 kg) - device with battery and clip (ALTAIR 5X unit)
Weight (with IR Sensor)	1.1 lb. (0.5 kg)
Dimensions (cm)	6.69" H x 3.49" W x 1.79" D without belt clip (ALTAIR 5X unit)
Dimensions (cm) (with IR Sensor)	6.68" H x 3.52" W x 1.92" D
Alarms	LEDs, audible alarm, vibrating alarm
Volume of audible alarm	95 dB typical
Displays	Monochrome
Battery types	Rechargeable Li ION battery Replaceable AA alkaline (ALTAIR 5X only)
Charging time	≤ 6 hours The maximum safe area charging voltage; Um = 6.7 Volts DC
Normal Temperature range	14 °F to 104 °F (-10 °C to 40 °C)
Extended Temperature range	-4 °F to 122 °F (-20 °C to 50 °C) Monochrome display -4 °F to 104 °F (-20 °C to 40 °C) for devices with ClO ₂ sensors
Short Term Operations (15 minutes) temperature range	-40°F to 122°F (-40°C to 50°C)
Humidity range	15-90 % relative humidity, non-condensing, 5-95 % RH intermittent
Atmospheric pressure range	11.6 to 17.4 PSIA (80 to 120 kPA)
Ingress protection	IP 65
Measuring methods	Combustible gases - Catalytic or Infrared sensor Oxygen and Toxic gases - Electrochemical or Infrared sensor
Warranty	See section 1.4

Measuring Range			
ClO₂	0-1.00 ppm	NH₃	0-100 ppm
Cl₂	0-10 ppm	NO	0-200 ppm
CO	0-2000 ppm	NO₂ (S20)	0-20.0 ppm
CO - HC	0-10,000 ppm	NO₂ (XCell)	0-50.0 ppm
Combustible	0-5.00 % CH ₄	O₂	0-30 % Vol.
H₂S	0-200 ppm	PH₃	0-5.00 ppm
H₂S - LC	0-100 ppm	PID	0-2000 ppm
HCN	0-30 ppm	SO₂	0-20.0 ppm

US

5.2 Factory-set Alarm Thresholds and Setpoints

Sensor	LOW alarm	HIGH alarm	SETPOINT min	SETPOINT max	STEL	TWA
COMB	0.5 % CH ₄	1 % CH ₄	0.1 % CH ₄	3 % CH ₄	-- ¹	-- ¹
CO	25 ppm	100 ppm	10 ppm	1700 ppm	100 ppm	25 ppm
H ₂ S	10 ppm	15 ppm	5 ppm	175 ppm	15 ppm	10 ppm
H ₂ S-LC	5 ppm	10 ppm	1 ppm	70 ppm	10 ppm	1 ppm
O ₂	19.5 %	23.0 %	5.0 %	24.0 %	-- ¹	-- ¹
SO ₂	2.0 ppm	5.0 ppm	2.0 ppm	17.5 ppm	5.0 ppm	2.0 ppm
NO	25	100	10	200	25	25
NO ₂	2.0 ppm	5.0 ppm	1.0 ppm	17.5 ppm	5.0 ppm	2.0 ppm
NO ₂ (XCell)	2.5 ppm	5.0 ppm	1.0 ppm	47.5 ppm	5.0 ppm	2.5 ppm
NH ₃	25 ppm	50 ppm	10 ppm	75 ppm	35 ppm	25 ppm
PH ₃	0.3 ppm	1.0 ppm	0.3 ppm	3.75 ppm	1.0 ppm	0.3 ppm
Cl ₂	0.5 ppm	1.0 ppm	0.3 ppm	7.5 ppm	1.0 ppm	0.5 ppm
ClO ₂	0.1 ppm	0.3 ppm	0.1 ppm	0.9 ppm	0.3 ppm	0.1 ppm
HCN	4.5 ppm	10.0 ppm	2.0 ppm	20.0 ppm	10 ppm	4.5 ppm
IR - CO ₂ (10 % Vol)	0.5 %Vol	1.5% Vol	0,2 % Vol	8 % Vol	0.5 % Vol	1.5 % Vol
IR - Methane (100 % Vol)	-- ²	-- ²	-- ²	-- ²	-- ¹	-- ¹

¹STEL and TWA not applicable for combustible and oxygen gases.

²No alarm thresholds are possible for the 0-100 % Vol Methane sensor. In environments with >100 % LEL combustible gas present, devices with a catalytic combustible LEL sensor will be in a latching over-range alarm, and the 100 % Vol IR sensors will display the % Vol gas reading.



5.3 Performance Specifications

Sensor	Range	Resolution	Reproducibility	Response time
Combustible (LEL)	0-5 % CH ₄	0.05 Vol % CH ₄	Normal temp range: ±0.10 % CH ₄ , 0.00 % CH ₄ ±0.15 % CH ₄ , 0.25 % CH ₄ ±0.15 % CH ₄ , 0.50 % CH ₄ ±0.20 % CH ₄ , 1.00 % CH ₄ ±0.20 % CH ₄ , 2.00 % CH ₄ ±0.30 % CH ₄ , 3.00 % CH ₄ ±0.30 % CH ₄ , 4.00 % CH ₄ ±0.30 % CH ₄ , 4.50 % CH ₄	90 % of final reading < 10 seconds (Methane) (normal temp. range)
Oxygen	0-30 % O ₂ *	0.1 % O ₂	0.7 % O ₂ for 0-30 % O ₂ 0.7 % O ₂ for O ₂ ≤ 15 % (MSHA version only) 0.5 % O ₂ for O ₂ 15 % < O ₂ < 30 % (MSHA version only)	t(90) < 10 sec (normal temp.)
Carbon Monoxide	0-2000 ppm CO	1 ppm CO	Normal temp. range: ±5 ppm CO or 10 % of reading, whichever is greater Extended temp. range: ±10 ppm CO or 20 % of reading, whichever is greater	t(90) < 15 sec (normal temp.) t(90) < 15 sec (normal temp.)
Hydrogen Sulfide	0-200 ppm H ₂ S	1 ppm H ₂ S, for 3-200 ppm H ₂ S	Normal temp. range: ±2 ppm H ₂ S or 10 % of reading, whichever is greater Extended temp. range: ±20 ppm H ₂ S or 20 % of reading, whichever is greater	t(90) < 15 sec (normal temp.)

IR Sensors

Sensor	Range	Resolution	Reproducibility of the zero point	Reproducibility of the measured value ¹⁾	Response time at 20 °C t90
Carbon Dioxide	0-10 % Vol	0.01 % Vol	≤ ± 0.01 % Vol	≤ ±4 %	≤ 35 s
Methane	0-100 % Vol	1 % Vol	≤ ± 5 % Vol	≤ ±2% Vol or ±10% of reading, whichever is greater	≤ 34 s

US

Additional Toxic Sensors

Sensor	Range (ppm)	Resolu- tion (ppm)	Reproducibility		Nominal response*
			Normal temperature range:	Extended temp. range:	
Cl₂ Chlorine	0-10	0.05	±0.2 ppm or 10 % of reading, whichever is greater	±0.5 ppm or 20 % of reading, whichever is greater	t(90) < 30 s
ClO₂ Chlorine dioxide	0-1	0.01	±0.1 ppm or 10 % of reading, whichever is greater	±0.2 ppm or 20 % of reading, whichever is greater	t(90) < 2 min
CO-HC Carbon Monoxide	0-10000	5	±5 ppm or 10 % of reading, whichever is greater	±10 ppm or 20 % of reading, whichever is greater	t(90) < 15 s
H₂S-LC Hydrogen Sulfide	0-100	0.1	±0.2 ppm or 10 % of reading, whichever is greater	±0.5 ppm or 20 % of reading, whichever is greater	t(90) < 15 s
HCN Hydrogen cyanide	0-30	0.5	±1 ppm or 10 % of reading, whichever is greater	±2 ppm or 20 % of reading, whichever is greater	t(90) < 30 s
NH₃ Ammonia	0-100	1	±2 ppm or 10 % of reading, whichever is greater	±5 ppm or 20 % of reading, whichever is greater	t(90) < 40 s
NO₂ Nitrogen dioxide (S 20)	0-20	0.1	±2 ppm or 10 % of reading, whichever is greater	±3 ppm or 20 % of reading, whichever is greater	t(90) < 40 s
NO₂ Nitrogen dioxide (XCell)	0-50	0.1	±1 ppm or 10 % of reading, whichever is greater	±2 ppm or 20 % of reading, whichever is greater	t(90) < 15 s
NO Nitric oxide	0-200	1	±5 ppm or 10 % of reading, whichever is greater	±10 ppm or 20 % of reading, whichever is greater	t(90) < 40 s
PH₃ Phosphine	0-5	0.05	±0.2 ppm or 10 % of reading, whichever is greater	±0.25 ppm or 20 % of reading, whichever is greater	t(90) < 30 s
SO₂ Sulfur dioxide	0-20	0.1	±2 ppm or 10 % of reading, whichever is greater	±3 ppm or 20 % of reading, whichever is greater	t(90) < 20 s

* Response time is for normal temperature range with sensor in position #3



5.4 Calibration Specifications

See section 6.1 for MSA gas cylinder part numbers.

Sensor	Zero Gas	Zero Cal Value**	Span Cal Gas	Span Cal	
				Value	Time (min)
COMB Methane (0-5 % Vol)	Fresh Air	0	2.5 % Vol Methane	2.5 %	1
O ₂	Fresh Air	20.8 %	15 % O ₂	15 %	1
CO	Fresh Air	0	60 ppm CO	60 ppm	1
H ₂ S	Fresh Air	0	20 ppm H ₂ S	20 ppm	1
SO ₂	Fresh Air	0	10 ppm SO ₂	10 ppm	1
Cl ₂	Fresh Air	0	10 ppm Cl ₂	10 ppm	2
NO	Fresh Air	0	50 ppm NO	50 ppm	4
NO ₂	Fresh Air	0	10 ppm NO ₂	10 ppm	2
NH ₃	Fresh Air	0	25 ppm NH ₃	25 ppm	2
PH ₃	Fresh Air	0	0.5 ppm PH ₃	0.5 ppm	1
HCN	Fresh Air	0	10 ppm HCN	10 ppm	4
**ClO ₂	Fresh Air	0	2 ppm Cl ₂	0.8 ppm	6
IR CO ₂ (10 % Vol)	Fresh Air	0.03 %	2.5 % CO ₂	2.5 %	2
IR Methane (100 % Vol)	Fresh Air	0	50 % Vol Methane	50 % Vol	2

Span values can be changed if using different gas cylinders than those listed. Changes can be made using MSA Link software.

*See section 5.6.

**For most accurate results, calibration with ClO₂ is recommended.

***Zero cal time is one minute if a catalytic combustible or an IR sensor is installed - 30 seconds if not.

5.5 Certifications

See device label for the certifications that applies to your specific device.

USA (Mining)	MSHA 30 CFR Part 22, Methane Detector. Approved for 30 CFR Part 75 Determination testing for methane and oxygen deficiency
---------------------	-------------------------------------------------------------------------------------------------------------------------------

5.6 XCell Sensor Patents

Sensor	Part No.	Patent Status
Combustible	10106722	Patent Pending
Oxygen	10106729	Patent Pending
Carbon Monoxide / Hydrogen Sulfide	10106725	Patent Pending
Ammonia	10106726	Patent Pending
Chlorine	10106728	Patent Pending
Sulphur Dioxide	10106727	Patent Pending

US

6 Order Information

6.1 Gas Cylinder Parts List

# Gases	Gas Mix	MSA P/N		Recommended CAL Gas for:
		ECONO- CAL (34 L)	RP (58 L)	
1	10 % CO ₂ in N ₂		10081603	
1	50 % Vol Methane in N ₂ (103L)		10075804	100 % Vol Methane IR
1	100 % Vol Methane		711014	
1	10 ppm NO ₂ in Air	711068	808977	NO ₂ sensor
1	10 ppm SO ₂ in Air	711070	808978	SO ₂ sensor
1	25 ppm NH ₃ in N ₂	711078	814866	NH ₃ sensor
1	10 ppm Cl ₂ in N ₂	711066	806740	Cl ₂ sensor
1	2 ppm Cl ₂ in N ₂	711082	10028080	ClO ₂ sensor
1	10 ppm HCN in N ₂	711072	809351	HCN sensor
1	0.5 ppm PH ₃ in N ₂	711088	710533	PH ₃ sensor
3	2.50 % CH ₄ , 15.0 % O ₂ , 20 ppm H ₂ S	10048888	10048889	
3	2.50 % CH ₄ , 15.0 % O ₂ , 60 ppm CO	10049056	813718	
4	2.50 % CH ₄ , 15.0 % O ₂ , 60 ppm CO, 20 ppm H ₂ S	10048981	10048890	
4	2.50 % CH ₄ , 15.0 % O ₂ , 60 ppm CO, 10 ppm NO ₂	10058172		

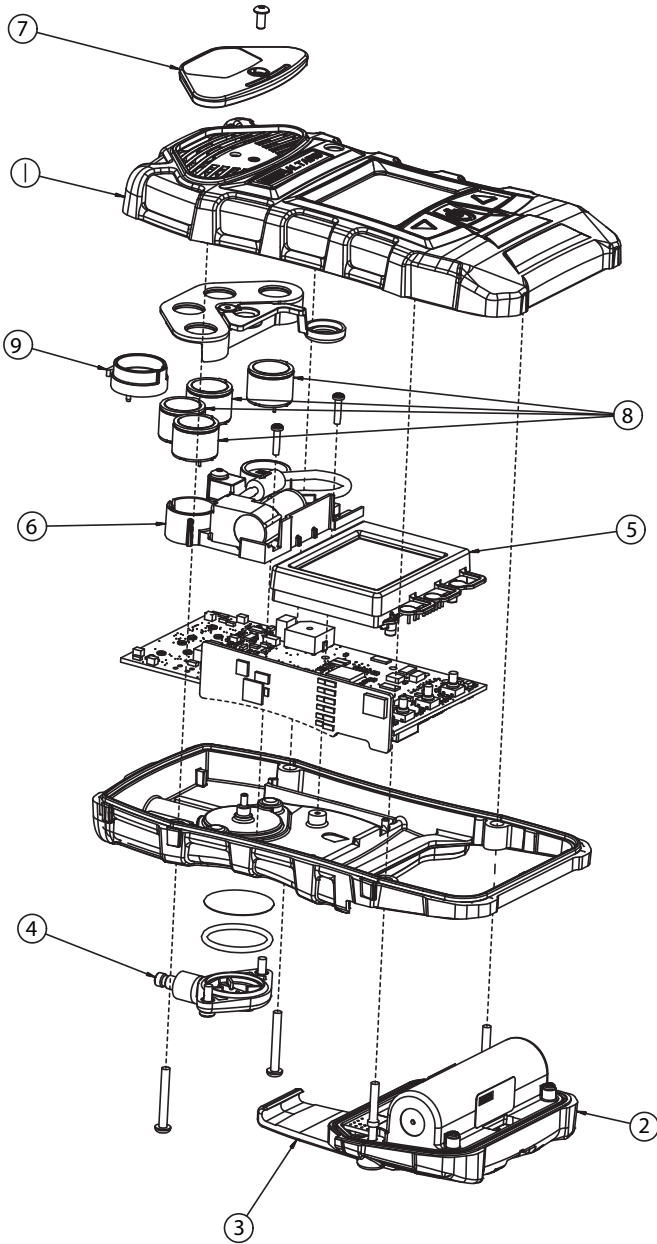
US

6.2 Accessories Parts List

Description	Part No.
Calibration Accessories	
Demand Regulator Kit	710288
Cl ₂ /NH ₃ /ClO ₂ Demand Regulator Kit	10034391
Interface & Carrying Accessories	
MSA Link USB dongle	10082834
MSA Link Datalogging Software	10088099
Shoulder Strap	474555
Retractable Line with Belt Clip	10050976
Holster, leather	10099648
Charging Accessories	
Charger only (North America)	10087913
Charging Cradle with Barrier- (North America)	10093055
Charging Cradle - (North America)	10093054
Vehicle Charger Cradle	10099397
Cradle Only - (no charger)	10093053
4-Unit Multi-Unit Charger NA Plug	10127427
Sample Lines & Probes	
Probe, 1 ft. straight PEEK	10042621
Probe, 3 ft. straight PEEK	10042622
Polyurethane Sample Line, 10 ft.	10040665
Polyurethane Sample Line, 25 ft.	10040664
Polyurethane Sample Line, 3 ft. Coiled	10040667
(Cl ₂ , ClO ₂ , NH ₃) 5 ft. PU Coiled Sample line & probe, kit	10105210
(Cl ₂ , ClO ₂ , NH ₃) 5 ft. PU Sample line & probe, kit	10105251
(Cl ₂ , ClO ₂ , NH ₃) 10 ft. Teflon Sample line & probe, kit	10105839
Replacement Filters for probe, 10 pack	801582
ALTAIR Hand Probe	10153041
Quick Connector, ALTAIR Hand Probe	10161755
Sampling line, 5ft, PU, non-conductive	10153217
Sampling line, 10ft, PU, non-conductive	10153218
Sampling line, 15ft, PU, non-conductive	10153219

US

6.3 Device Replacement Parts

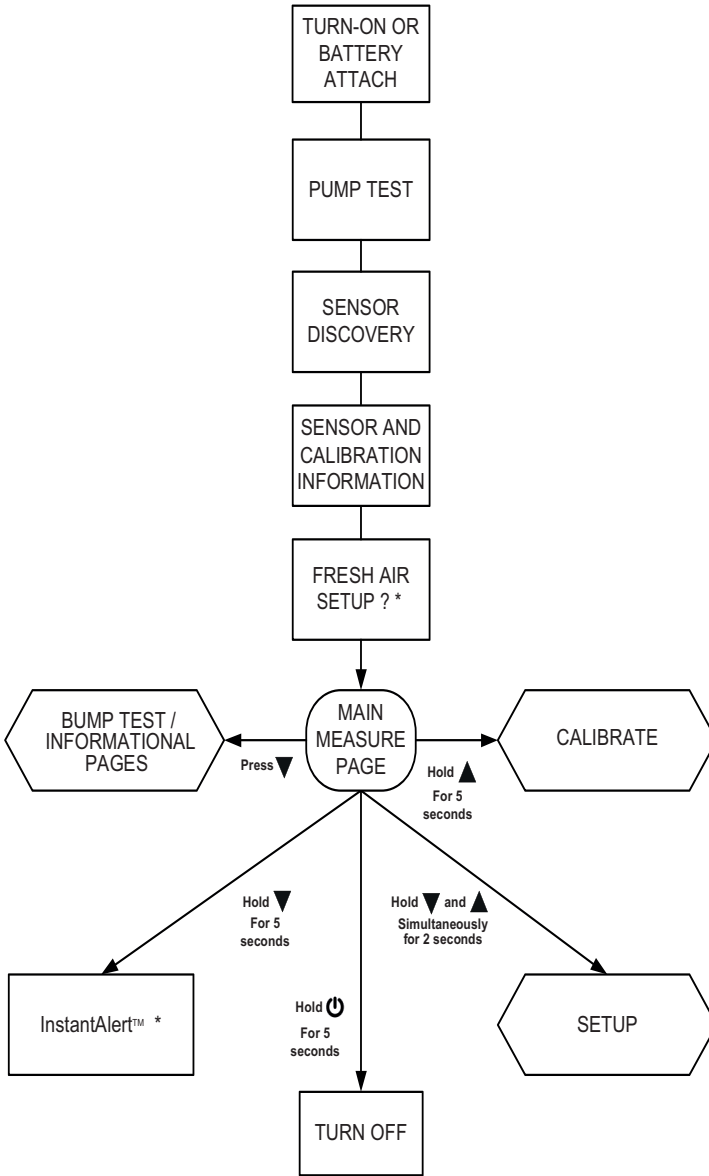


US

No.	Description	Part No.
1	Case assembly, upper, with label	10114853
2	Battery pack, rechargeable, MSHA, ALTAIR 5X	10147308
	Battery pack, alkaline, MSHA, ALTAIR 5X	10114837
	Battery pack, rechargeable, MSHA, ALTAIR 5X IR	10147309
3	Kit, belt clip replacement, (ALTAIR 5X rechargeable)	10094830
	Kit, maintenance (includes filters, o-ring, screws)	10114949
	Kit, maintenance, reactive gas (Cl ₂ , ClO ₂ , NH ₃) (includes filters, o-ring, screws)	10114950
4	Filter cover assembly	10083591
5	Display assembly, monochrome	10111389
6	Sensor bracket assembly with pump, ALTAIR 5X (includes vibrator motor)	10114804
	Sensor bracket assembly with pump, ALTAIR 5X IR (includes vibrator motor)	10114805
7	Kit, pump cap replacement	10114855
8	Sensor, HCN (Series 20)	10106375
	XCell Sensor, Cl ₂	10106728
	Sensor, ClO ₂ (Series 20)	10080222
	XCell Sensor, SO ₂	10106727
	Sensor, NO ₂ (Series 20)	10080224
	XCell Sensor, NH ₃	10106726
	Sensor, PH ₃ (Series 20)	10116638
	XCell Sensor, COMB	10121212
	XCell Sensor, O ₂	10106729
	XCell Sensor, CO-H ₂ S, Two-Tox	10106725
	XCell Sensor, CO/ NO ₂	10177766
	XCell Sensor, CO-HC	10121216
	XCell Sensor, H ₂ S-LC/CO	10121213
	XCell Sensor, CO-H ₂ Res/H ₂ S	10121214
	Sensor, NO (Series 20)	10114750
	XCell Sensor plug	10105650
	20 mm sensor plug	10088192
9	XCell adapter socket	10110183

Description	Part No.
IR sensors – must be repaired or replaced at a Certified Service Center	
CO ₂ 0-10 % Vol	10145738-SP
CH ₄ 0-100 % Vol (Methane)	10145752-SP

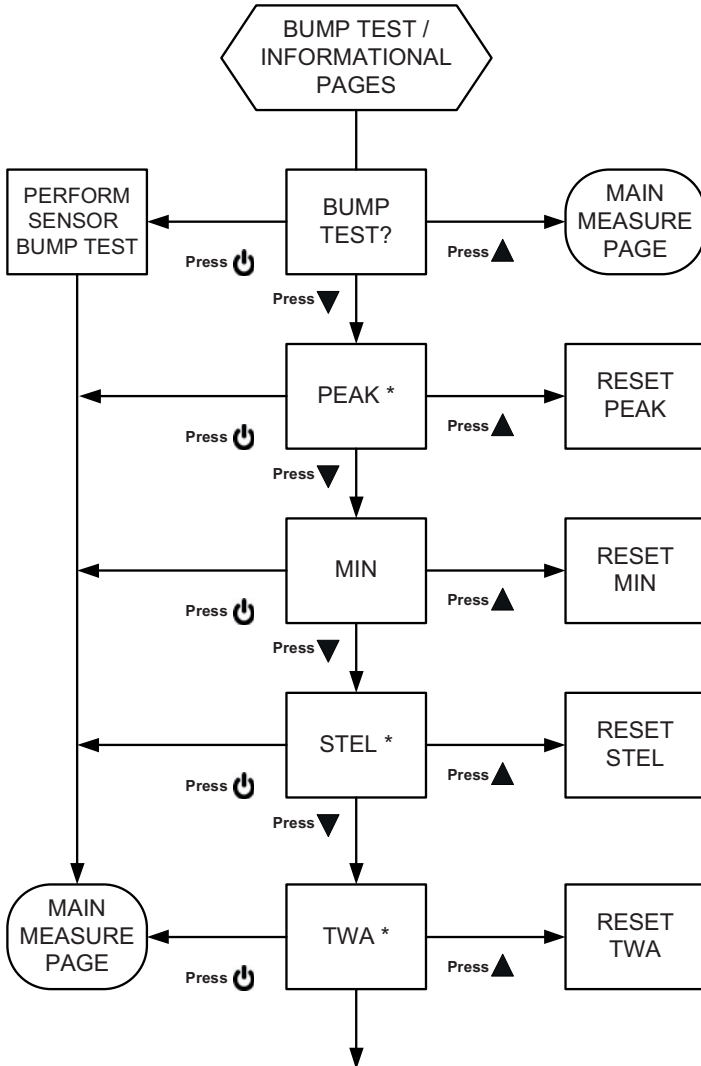
7 Flow Charts
7.1 Basic Operation



* IF ENABLED

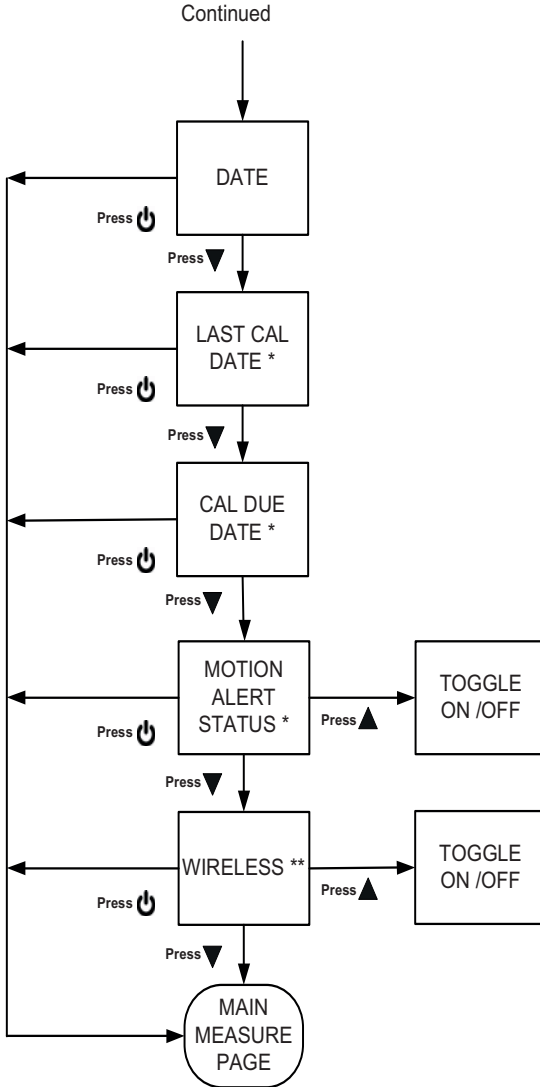


7.2 Bump Test / Informational Pages



* IF ENABLED (NOT VALID FOR ALL SENSORS)



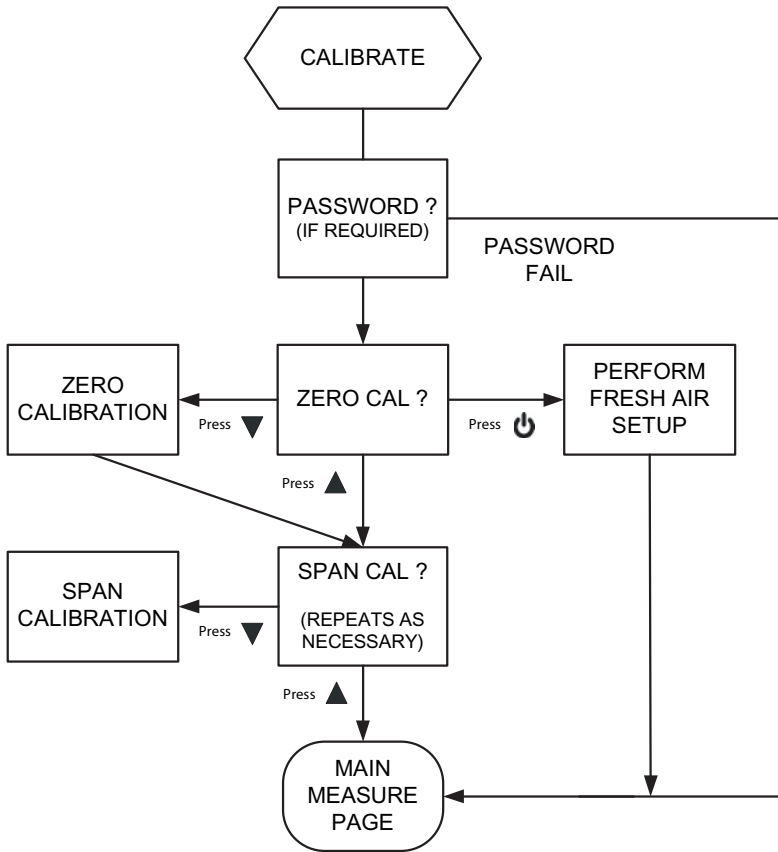


* IF ENABLED

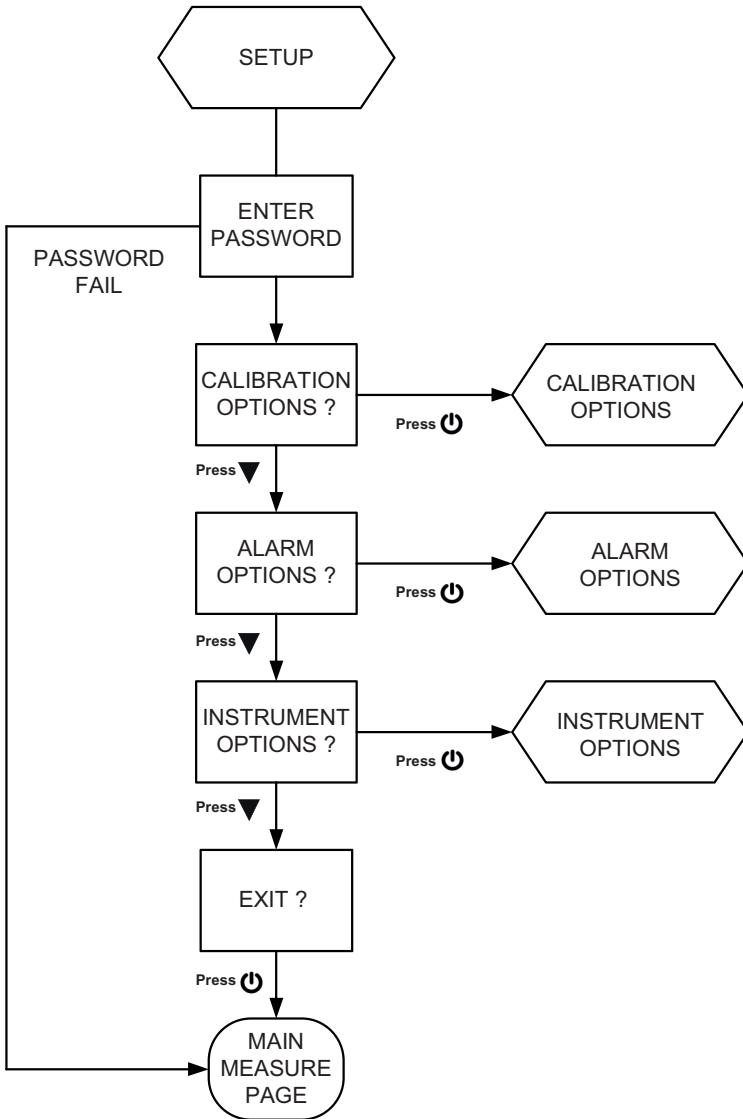
** IF WIRELESS IS INSTALLED

US

7.3 Calibrations

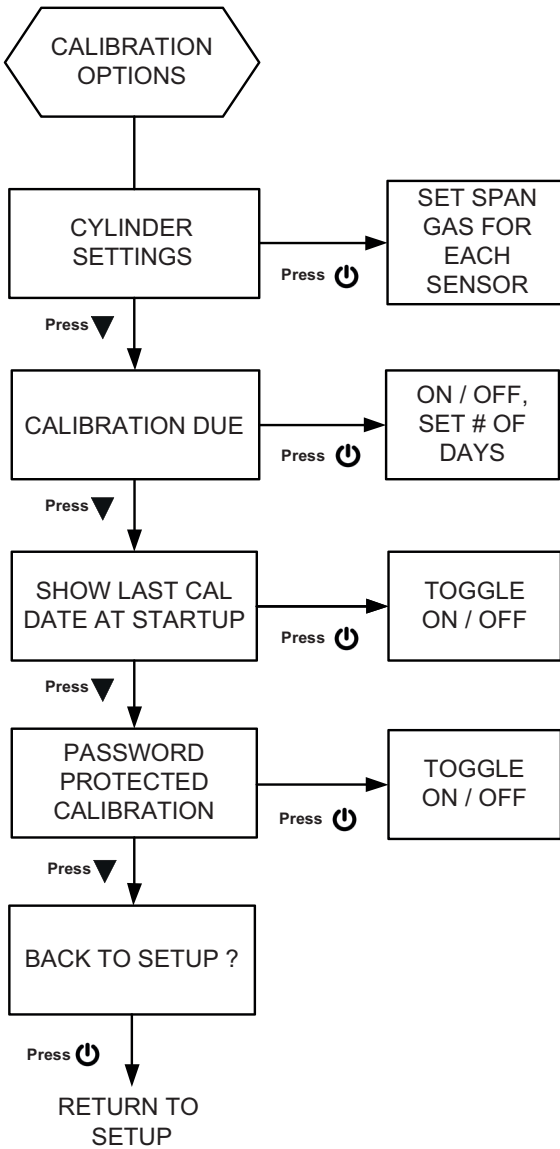


7.4 Setup



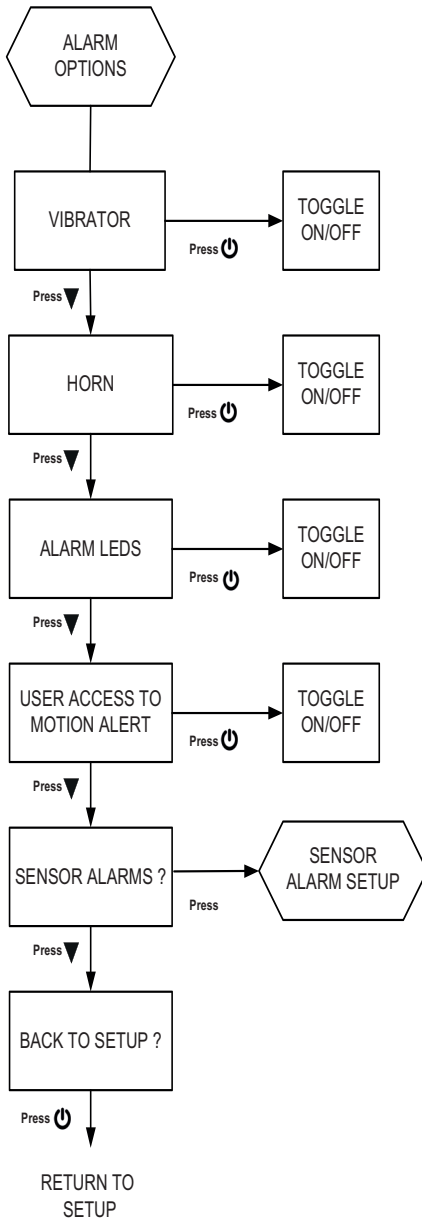
US

7.5 Calibration Options



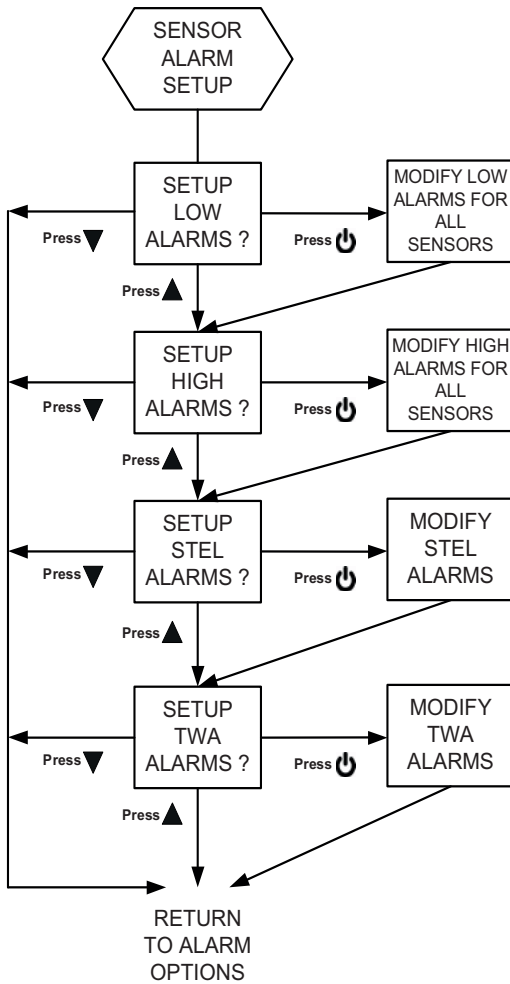
US

7.6 Alarm Options



US

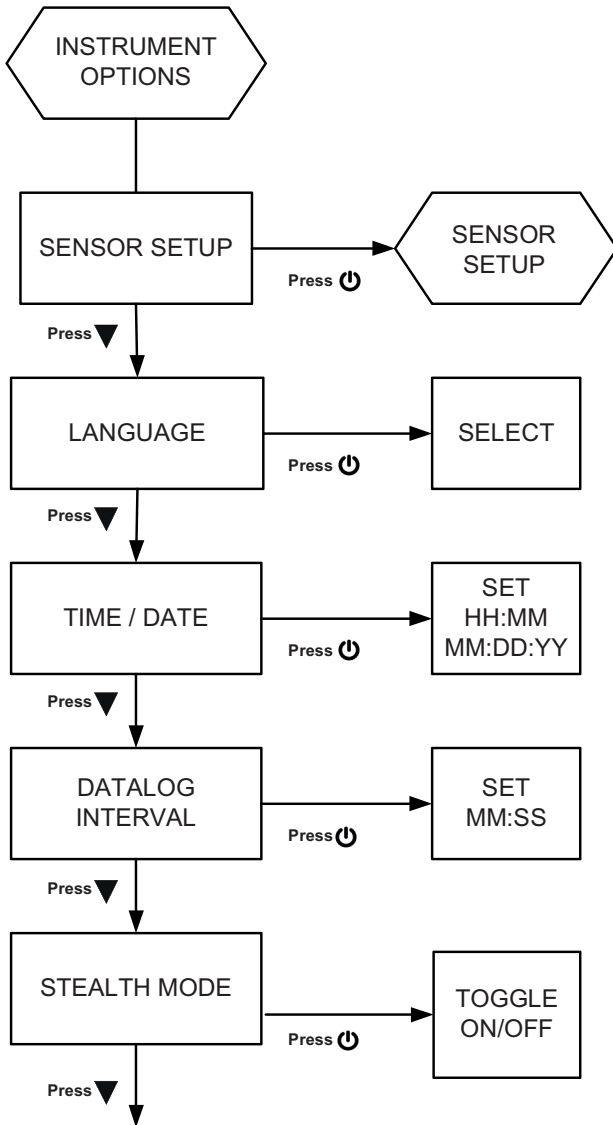
7.7 Sensor Alarm Setup



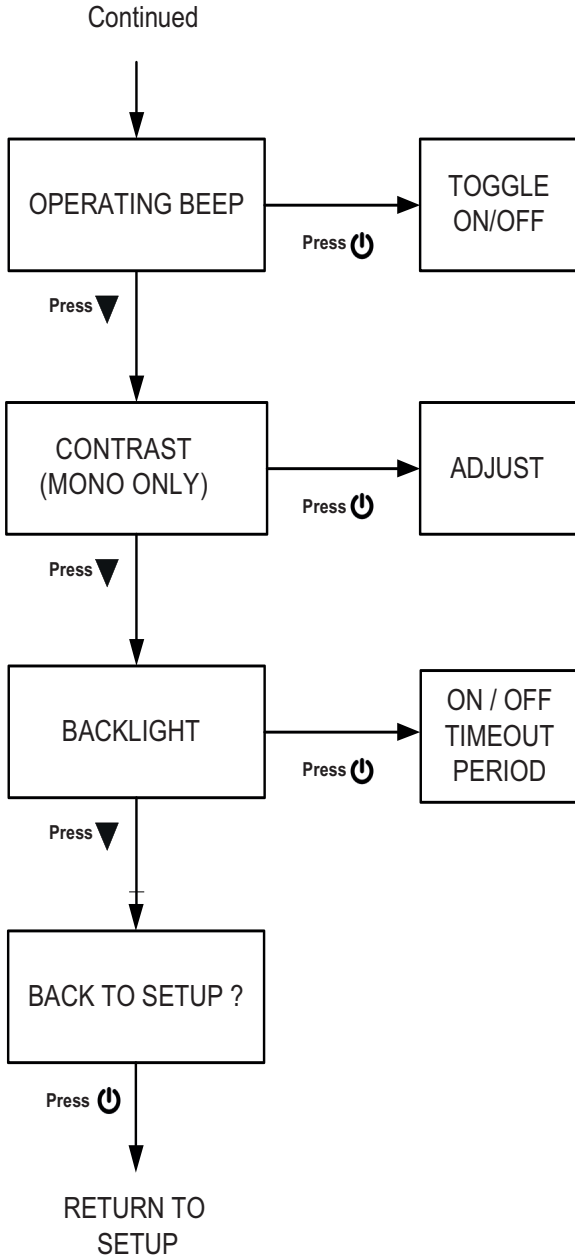
NOTE: STEL AND TWA ARE NOT VALID FOR ALL SENSORS

US

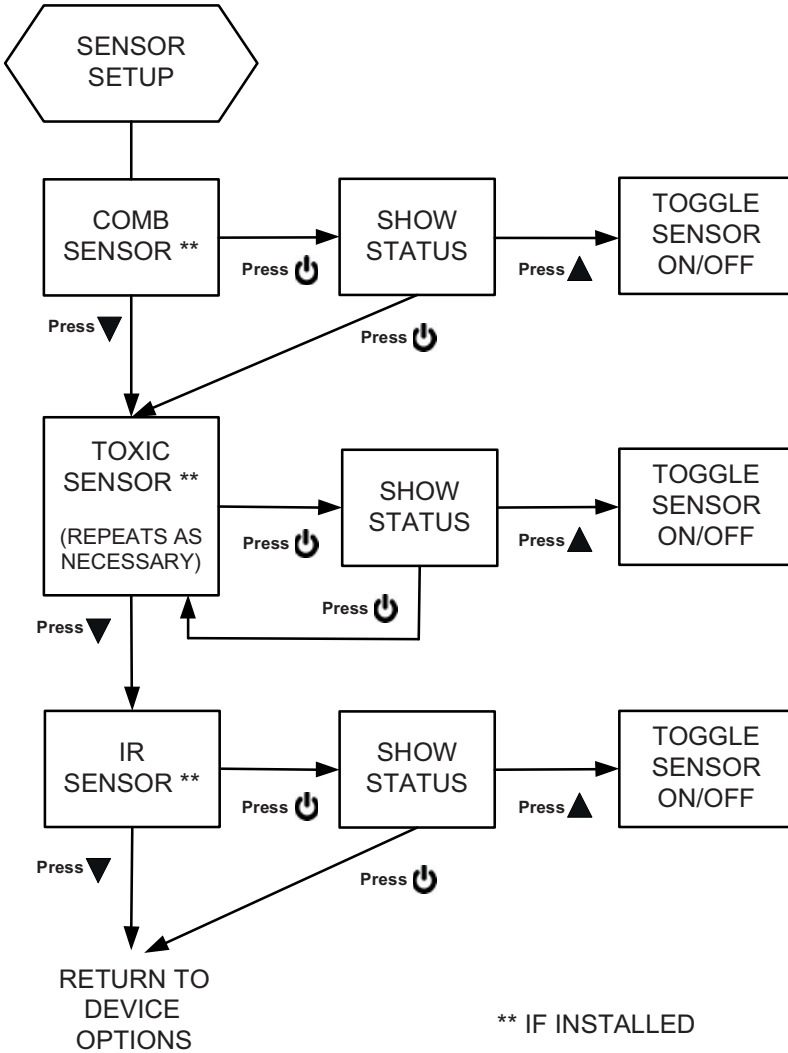
7.8 Instrument Options



US



7.9 Sensor Setup



US

8 Changeable Feature Summary

Feature	Initial Setting	Setup Path to Change this Setting	See sections:	Change with MSA link?
Setup Password	672	No	3.4	Yes
Vibrating Alarm	ON	ALARM OPTIONS	2.2.3, 3.4.2	Yes
Horn Alarm	ON	ALARM OPTIONS	2.2.3, 3.4.2	Yes
LED Alarm	ON	ALARM OPTIONS	2.2.3, 3.4.2	Yes
Safe LED (green)	ON	No	2.2.3	Yes
Operating Beep (alarm LEDs & horn)	OFF	INSTRUMENT OPTIONS	2.2.3, 3.4.3	Yes
Stealth	OFF	INSTRUMENT OPTIONS	2.2.3, 3.4.3	No
MotionAlert - Access	Allowed	ALARM OPTIONS	2.4.9, 3.4.2	No
MotionAlert	OFF	Use ▼ button from MEASURE page	2.2.3	No
Sensor Alarm Levels	See section 5.4	ALARM OPTIONS / SENSOR ALARM SETUP	2.6, 2.7, 2.8, 3.4.2	Yes
Enable / Disable High & Low Alarms	Enabled	No	2.6, 2.7, 2.9	Yes
Turn Sensors ON / OFF	ON	INSTRUMENT OPTIONS / SENSOR SETUP	2.6, 2.7, 3.4.3	Yes
Show Peak	ON	No	2.4.2	Yes
Show STEL, TWA	ON	No	2.4.4, 2.4.5	Yes
Cal Cylinder Setup	See section 5.3	CAL OPTIONS	3.4.1	Yes
Show Last Cal Date	ON	CAL OPTIONS	2.4.7, 3.4.1	Yes
Show Cal Due	ON	CAL OPTIONS	2.4.8, 3.4.1	No
Cal Password Required	Not req'd.	CAL OPTIONS	3.4.1	No
Backlight	Enabled		2.2.3, 3.4.3	No
Backlight Duration	10 secs	INSTRUMENT OPTIONS	3.4.3	Yes
Display Contrast	Factory-set	INSTRUMENT OPTIONS	3.4.3	No
Language	User-set	INSTRUMENT OPTIONS	3.4.3	No
Date, Time	User-set	INSTRUMENT OPTIONS	3.4.3	Yes
Datalog Interval	3 min	INSTRUMENT OPTIONS	3.4.3	Yes
Device S/N	Factory-set	No	3.2	Yes
Company Name	Blank	No	3.2	Yes
Dept./User Name	Blank	No	3.2	Yes

For local MSA contacts, please visit us at **[MSAsafety.com](https://www.MSAafety.com)**